

User Manual

**Manual
del usuario**

MEDION[®]

**ILLUMINATED GAMING
MOUSE & XL MOUSEPAD
P81038**

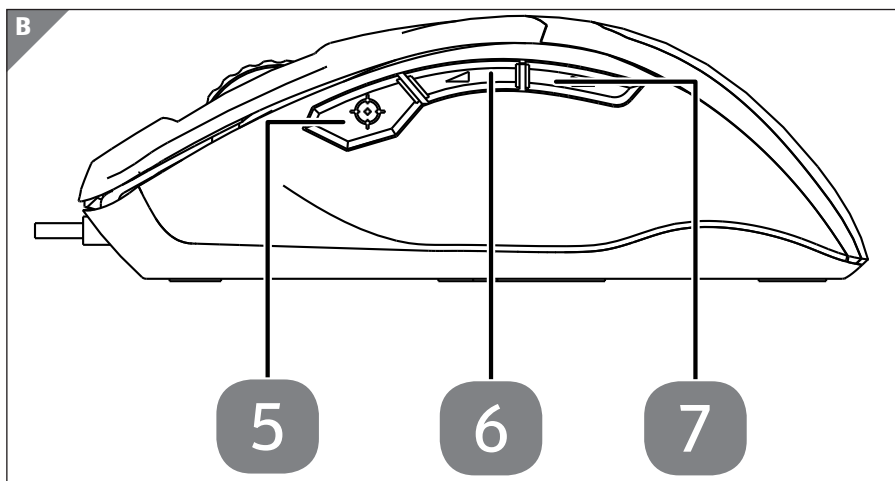
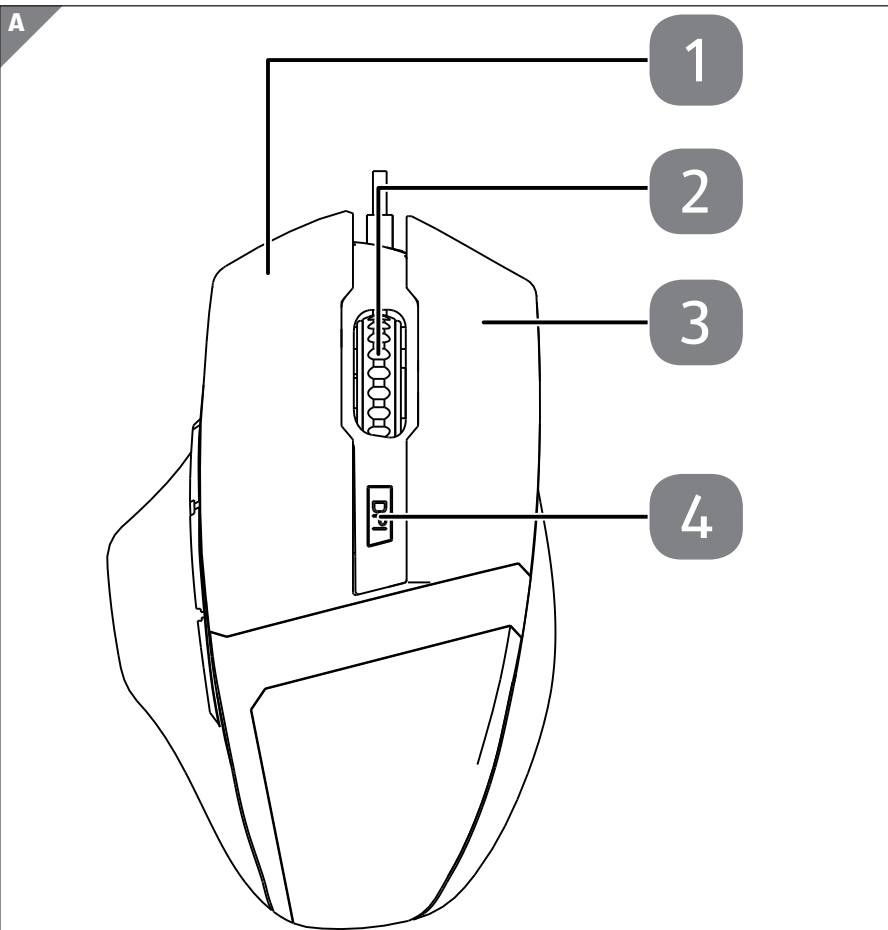
**MOUSE ILUMINADO PARA GAMING
Y ALFOMBRILLA XL P81083**

English 07

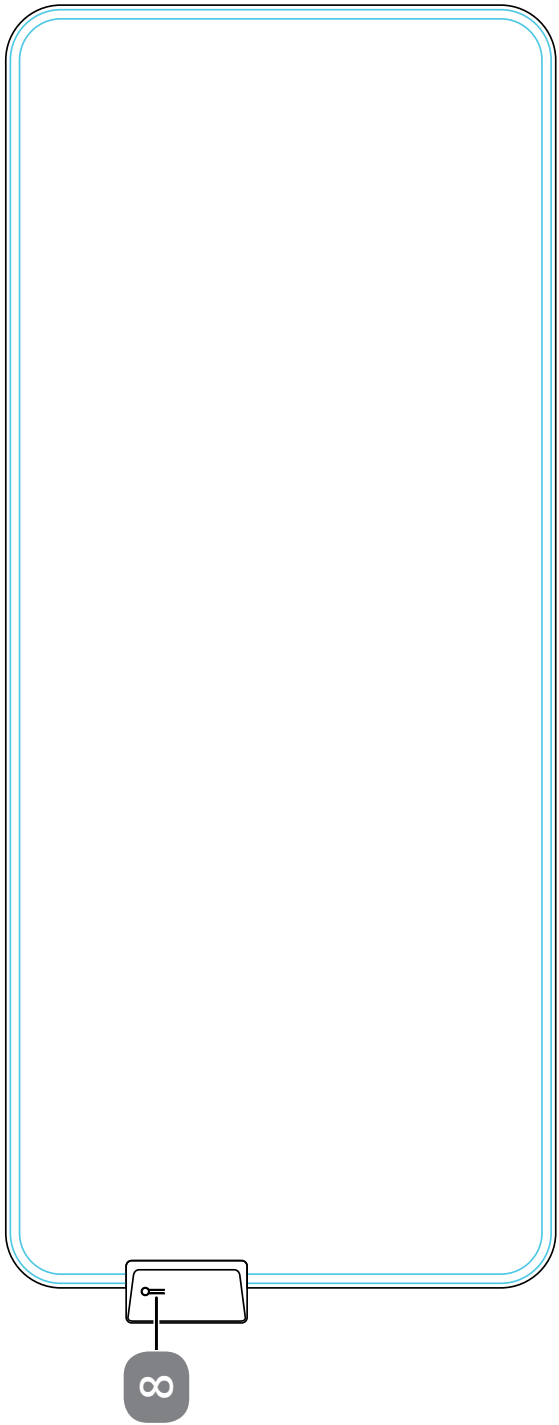
Español 19

Contents

Overview	4
Device parts	6
General information	7
Reading and storing the user manual	7
Proper use	7
Explanation of symbols	7
Safety	8
General safety instructions	8
Scope of delivery	10
Gaming Mouse	10
Getting started	10
DPI settings	10
System requirements	11
Mouse configuration	11
BASIC SETUP	12
MACRO	13
ADVANCE	13
LED SETUP	14
Gaming XL Mousepad	14
Getting started	14
Lighting settings	15
Troubleshooting	15
Cleaning	15
Storage	16
Technical data	16
FCC statement	17
Disposal	18
Disposing of the packaging	18
Disposing of the product	18
Service information	18
Legal Notice	19



C



Device parts

Mouse (top)

- 1 Left mouse button
- 2 Mouse wheel/middle mouse button
- 3 Right mouse button
- 4 DPI selection button

Mouse (left side)

- 5 Fire button
- 6 Forward button
- 7 Back button

XL Mousepad

- 8 Function button

General information

Reading and storing the user manual



This user manual accompanies this Illuminated Gaming Mouse and Pad Set (hereafter referred to as the “product”), and contains important information on setup and handling.

Before using the product, read the user manual carefully, especially the safety instructions. Failure to do so may result in personal injury or damage to the product.

Store the user manual for further use. Make sure to include this user manual when passing the product on to third parties.

Proper use

The product is exclusively designed as an input device for a computer. It is only intended for private use and not for commercial purposes. The product is not a toy.

Only use the product as described in this user manual. Any other use is considered improper and may result in damage to property or persons.

The manufacturer or vendor cannot be held liable for damages or injury incurred through improper or incorrect use.

Explanation of symbols

If a block of text is marked with one of the warning symbols listed below, the hazard described in that text must be avoided to prevent the potential consequences from occurring.



This symbol indicates a hazard with a high level of risk which, if not avoided, will result in death or serious injury.



This symbol indicates a hazard with a medium level of risk which, if not avoided, could result in death or serious injury.



This signal word indicates a hazard with a low level of risk that, if not avoided, could result in minor or moderate injury.

NOTICE!

This symbol warns of possible damage to property.



This symbol gives you useful additional information on assembly or operation.



The Federal Communications Commission (FCC) requires all commercial electronic devices to comply with this norm (see section 'Declaration of conformity').

Safety

IMPORTANT SAFEGUARDS READ AND FOLLOW ALL INSTRUCTIONS

General safety instructions



Risk of injury!

Improper handling of the product may increase the risk of injury.

- This product may be used by children ages eight and over as well as persons with impaired physical, sensory or mental capacities, or those lacking experience and knowledge if they are supervised or have been instructed on how to safely use the product and understand the risks associated with operating it.. Children may not play with the product. Cleaning and user maintenance may not be performed by unsupervised children.
- Keep the product away from children. Small parts included. They may cause suffocation if swallowed or inhaled.

- To avoid injury to the eyes, do not look directly into the LED light source of the optical sensor. Do not look at the LED light source using optical instruments.
- Turn the product off when on board an aircraft, in a hospital, in an operating theater or in the vicinity of electronic medical equipment. The RF signals may interfere with the functionality of sensitive devices.
- Keep the product at least 8 inches (20 cm) away from pacemakers, as the RF signals could interfere with their functionality.
- Do not use the product near flammable gases or in a potentially explosive area (e.g., a paint shop).

NOTICE!**Risk of damage!**

Improper handling of the product can damage it.

- Stop using the product if its plastic parts exhibit cracks or breaks or become deformed.
- Always place the product on a solid and level surface. It can be damaged if dropped.
- Keep the product away from open fire and hot surfaces.
- Never submerge the product in water or other liquids.
- Do not open the housing; instead, have a qualified professional perform repairs.



Users are not entitled to compensation for lost data or for subsequent damages due to data loss.

This product was designed to be operated on a PC.

- Please observe the safety instructions of the computer that the keyboard is connected to.

SAVE THESE INSTRUCTIONS

Keep the user manual for future reference.

Scope of delivery

NOTICE!

Risk of damage!

Please be cautious when opening the packaging with a sharp knife or other pointed object because you could easily damage the product.

– So be careful.

1. Remove the product from the packaging.
2. Check to make sure that all parts are included:
 - Gaming Mouse
 - Gaming XL Mousepad
 - USB Cable for XL Mousepad
 - User Manual & Warranty Card
3. Check whether the product or individual parts are damaged. If this is the case, do not use the product. To contact the manufacturer, use the service telephone number or email address shown on the warranty card.

Gaming Mouse

Getting started

- Switch on the computer and all peripheral devices (monitor, printer, etc.) and wait until the operating system has fully started up.
- Connect the mouse to an available USB port on your computer.
- The mouse driver is automatically installed.
The standard windows driver only supports the basic functions of the mouse. For the extended functions you have to download the mouse software described on page 11.

DPI settings

- Press the DPI selector button  to change the DPI resolution.

Each time that you press the DPI selector, the value will change. The following values are set at the factory: 1200, 1600, 2400, and 3200.

You can adjust the order of the values using the supplied software.

Four values can be preset.

Software

Download the mouse software here:

http://cdn.medion.com/downloads/software/illuminated_mouse_MD85032.exe

To configure the mouse you need to download the mouse software. Use the menus to define the button functions, change the mouse control settings, or to program macros.

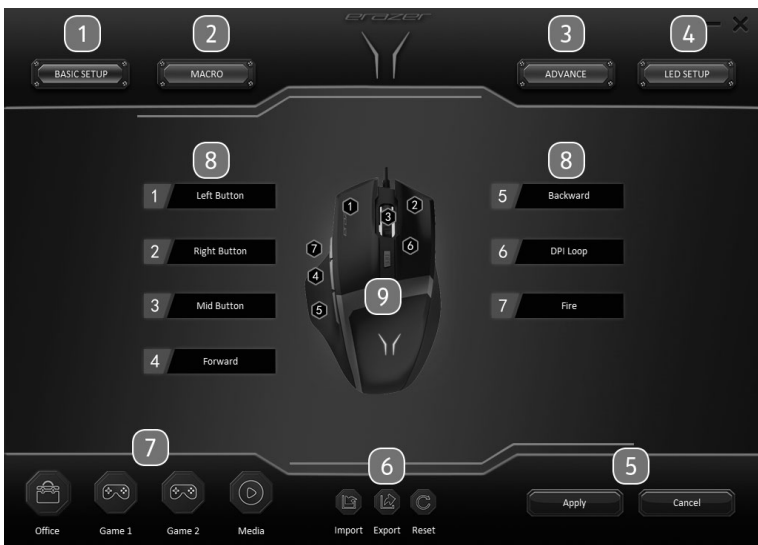
- Connect the mouse to your PC or laptop, and wait until the drivers are installed.
- Install the supplied software.
- Start the configuration program.

System requirements

- Operating system: Latest version of Windows®
- 1 x USB port

Mouse configuration

User Interface



- 1 BASIC SETUP:** Basic settings
- 2 MACRO:** Creating and managing macros
- 3 ADVANCE:** Advanced settings
- 4 LED SETUP:** Color settings for the LEDs
- 5 Apply:** Confirm the entry and close the window
Cancel: Cancel the entry

- 6 Import:** Import the saved configuration settings
- Export:** Save the created configuration settings
- Reset:** Reset the settings
- 7 Office:** Predefined mouse setting for controlling productivity programs
- Game 1 / Game 2:** Predefined mouse setting for controlling games
- Media:** Predefined mouse setting for controlling multimedia programs
- 8 List of buttons:** Settings for button assignment
- 9** Mouse overview with all buttons

BASIC SETUP

In the **BASIC SETUP** menu, you can define the assignments for the individual mouse buttons and adapt them to your needs.



- Use the menus 1-7 in the middle of the screen to select an assignment for the respective mouse button.

The mouse configurations are already preset at the factory, and you can call them up using the **Office, Game 1, Game 2 and Media** buttons.

MACRO



In the **MACRO** menu, you can program and manage macros.

ADVANCE



Under **ADVANCE**, you can set the precision of the mouse pointer, the speed of the mouse wheel, the rate of fire, and the DPI values of the mouse.

- Use the **Pointer precision** slider to set the mouse pointer precision.
- Use the **Wheel speed** slider to set the mouse wheel speed.
- Use the **Fire Speed** slider to set the firing rate of the mouse.
- Select one of the predefined DPI values by clicking on DPI 1, DPI 2, DPI 3, or DPI 4.
- With the DPI slider, you can continuously adjust the DPI value up to 3,200 DPI.

LED SETUP



In the **LED SETUP** window, you can configure the light speed of the mouse.

- Choose between **Slow**, **Fast**, **Static**, or **Off**, and then click **Apply**.

Gaming XL Mousepad

Getting started

- Switch on the computer and all peripheral devices (monitor, printer, etc.) and wait until the operating system has fully started up.
- Connect the XL Mousepad to an available USB port on your computer.

Lighting settings

- Press the switch **8** multiple times until you reach the desired lighting setting. The twelve different color settings can be called up one after the other.

Lighting setting	
1	Red
2	Yellow
3	Pale Green
4	Dark Green
5	Pale Blue
6	Dark Blue
7	Purple
8	White
9	One color at a time cycle, slow fade
10	One color at a time cycle, fast fade
11	All colors at the same time cycle
12	All colors at the same time cycle, flash change

- Press and hold the switch for approximately 5 seconds to switch the XL Mousepad on or off.

Troubleshooting

If the product does not respond after installation, check the following:

- Try using a different USB port on your computer.
- Make sure you are not using the mouse on a glass or reflective surface. Use the XL mousepad for best results.

Cleaning

NOTICE!

Risk of short circuit!

Water and other liquids that have penetrated the housing may cause a short circuit.

- Make sure that no water or other liquids penetrate the housing.
- Never immerse the product in water and other liquids.

NOTICE!

Risk of damage!

Improper handling of the product may result in damage.

- Do not use any aggressive cleaners, brushes with metal or nylon bristles, or sharp or metallic cleaning utensils such as knives, hard scrapers and the like. They could damage the surfaces.
- Use a damp cloth to wipe off the product. Then let all parts dry completely.

Storage

All parts must be completely dry before being stored.

- Always store the product in a clean, dry place.
- Protect the product from direct sunlight.
- Store the product so that they are not accessible to children.

Technical data

Model:	MD85032
System requirement:	Latest version of Windows®
Dimensions	
Mouse (W x H x L)	approx. 3.19 x 1.73 x 5.20 in.
XL Mousepad (W x H x L)	approx. 11.81 x 0.12 x 27.56 in.
Product code:	703267
Operating system	Current Windows version

USB® is a registered trademark of USB Implementers Forum, Inc.

Microsoft®, Windows®, and other Microsoft product names are registered trademarks of the Microsoft Corporation.

Mac® is a registered trademark of Apple Inc., registered in the U.S. and other countries.

All other names and products may be trademarks or registered trademarks of their respective owners.

FCC statement

This equipment has been tested and found to comply with the limits for a Class B digital device pursuant to Part 15 of FCC Rules.

These limits are designed to provide reasonable protection against harmful interference in a residential installation. This equipment generates, uses, and can radiate radio frequency energy and, if not installed and used in accordance with the instructions, may cause harmful interference to radio communications. However, there is no guarantee that interference will not occur in a particular installation. If this equipment does cause harmful interference to radio or television reception, which can be determined by turning the equipment off and on, the user is encouraged to try to correct the interference by one or more of the following measures:

- Reorient or relocate the receiving antenna.
- Increase the separation between the equipment and receiver.
- Connect the equipment into an outlet on a circuit different from that to which the receiver is connected.
- Consult the dealer or an experienced technician for help.

Changes or modifications not expressly approved by the party responsible for compliance could void the user's authority to operate the equipment. Shielded interface cables, if any, must be used in order to comply with the emission limits.

This device complies with Part 15 of the FCC Rules. Operation is subject to the following two conditions:

- (1) This device may not cause harmful interference, and
- (2) this device must accept any interference received, including interference that may cause undesired operation.

You may also find the following booklet, which was prepared by the FCC, to be helpful: "How to Identify and Resolve Radio-TV Interference Problems." This booklet is available from the U.S. Government Printing Office, Washington, D.C. 20402.

Disposal

Disposing of the packaging



Sort the packaging before you dispose of it. Dispose of paper and cardboard by placing them in the recycling and dispose of the remaining packaging materials in normal waste containers.

Disposing of the product

- When you can no longer use the product, dispose of it in accordance with your local city and state regulations.
- Please ensure your recycling information applies to local regulations and the EPA recommendations (www.epa.gov).

Service information

Please contact our Customer Service team if your keyboard ever stops working the way you want or expect it to. There are several ways for you to contact us:

- In our Service Community, you can meet other users, as well as our staff, and you can share your experiences and knowledge. You will find our Service Community at community.medion.com.
- Alternatively, use our contact form at www.medion.com/contact.
- You can also contact our Service team via our hotline or by mail.

Business hours	Hotline
Mon – Fri: 09:00 am to 06:00 pm EST	① +1 (866)633-4660
Service address	
MEDION U.S.A. Inc. P.O. Box 1076 Highland Park, IL 60035 us.info@medion.com	



You can download this and many other sets of operating instructions from our service portal at www.medion.com/us/.

You will also find drivers and other software for a wide range of devices there.

You can also scan the QR code on the side of the screen to download the operating instructions onto your mobile device from the service portal.

Legal Notice

Copyright © 2020

Date: 28. August 2020, 12:25 PM

All rights reserved.

These operating instructions are protected by copyright.

Mechanical, electronic and any other forms of reproduction are prohibited without the written permission of the manufacturer.

Copyright is owned by the company:

MEDION AG

Am Zehnthof 77

45307 Essen

Germany

Please note that you cannot use the address above for returns. Please always contact our Customer Service team first.

Contenido

Vista general	4
Partes del dispositivo	22
Información general	23
Lectura y conservación del manual del usuario	23
Uso correcto	23
Explicación de los símbolos	23
Seguridad	24
Instrucciones generales de seguridad	24
Volumen de suministro	26
Mouse para videojuegos	27
Instalación	27
Ajustes de DPI	27
Requisitos del sistema	27
Configuración del mouse	28
BASIC SETUP	29
MACRO	29
ADVANCE	30
LED SETUP	31
Alfombrilla XL XL de mouse para videojuegos	31
Instalación	31
Configuración de la iluminación	32
Solución de problemas	32
Limpieza	33
Almacenamiento	33
Datos técnicos	34
Declaración de la FCC	34
Eliminación	35
Eliminación del embalaje.....	35
Eliminación del producto	35
Información de servicio	35
Aviso legal	36

Partes del dispositivo

Mouse (lado superior)

- 1 Botón izquierdo del mouse
- 2 Rueda/Botón del medio del mouse
- 3 Botón derecho del mouse
- 4 Botón de selección de DPI

Mouse (lado izquierdo)

- 5 Botón de disparo
- 6 Botón de avance
- 7 Botón de retroceso

Alfombrilla XL del mouse

- 8 Botón de función

Información general

Lectura y conservación del manual del usuario



Este manual del usuario acompaña al mouse iluminado para videojuegos (denominado “el producto” de aquí en adelante) y contiene información importante sobre su configuración y manejo.

Lea el manual del usuario cuidadosamente antes de utilizar el producto. Esto se aplica especialmente a las instrucciones de seguridad. No hacerlo

podría ocasionar lesiones personales o daños al producto.

Guarde el manual del usuario para usarlo posteriormente. Asegúrese de incluir este manual del usuario en caso de entregar el producto a terceros.

Uso correcto

El producto está exclusivamente diseñado como un dispositivo de entrada para una computadora. Solo está pensado para su uso personal y no con fines comerciales. El producto no es un juguete.

Utilice el producto únicamente como se describe en este manual del usuario. Cualquier otro uso se considera indebido y podría ocasionar daños materiales o personales.

El fabricante o vendedor no pueden responsabilizarse por daños o lesiones ocasionados por el uso indebido o incorrecto.

Explicación de los símbolos

Si un bloque de texto aparece marcado con uno de los símbolos de advertencia siguientes, es necesario evitar el peligro descrito en dicho texto a fin de prevenir las posibles consecuencias descritas.



Esta señal indica un peligro con un alto nivel de riesgo que ocasionará la muerte o lesiones graves, en caso de no evitarse.



Esta señal indica un peligro con un nivel de riesgo medio que podría ocasionar la muerte o lesiones graves, en caso de no evitarse.



Esta señal indica un peligro con un bajo nivel de riesgo que podría ocasionar lesiones leves o moderadas, en caso de no evitarse.

¡ATENCIÓN!

Esta señal le advierte sobre posibles daños materiales.



Este símbolo le proporciona información adicional útil sobre el ensamblaje o el funcionamiento.



La FCC (Comisión Federal de Comunicaciones de los EE. UU.) exige que todos los dispositivos electrónicos comerciales cumplan con esta norma (consulte la sección 'Declaración de conformidad').

Seguridad

MEDIDAS DE SEGURIDAD IMPORTANTES LEA Y SIGA TODAS LAS INSTRUCCIONES

Instrucciones generales de seguridad



¡Riesgo de lesiones!

El manejo indebido del producto podría aumentar el riesgo de lesiones.

- Este producto puede ser utilizado por niños de ocho años de edad y mayores, personas con discapacidades físicas, sensoriales o mentales, así como por aquellos sin experiencia o conocimientos, siempre y cuando sean supervisados o hayan aprendido a utilizar el producto de manera segura y hayan entendido los riesgos asociados con su uso. Los niños no deben jugar con el producto. Las tareas de limpieza y de mantenimiento no deben ser realizadas por niños sin supervisión.

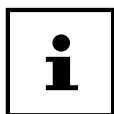
- Mantenga el producto fuera del alcance de los niños. Se incluyen piezas pequeñas. Podrían ocasionar asfixia por ingestión o inhalación.
- Para evitar una lesión en los ojos, no mire directamente a la fuente de luz LED del sensor óptico. No mire a la fuente de luz LED utilizando instrumentos ópticos.
- Apague el producto cuando se encuentre a bordo de una aeronave, en un hospital, en un teatro de operaciones o cerca de un equipo médico electrónico. Las señales de radiofrecuencia podrían interferir con la funcionalidad de dispositivos sensibles.
- Mantenga el producto como mínimo a 8 pulgadas (20 cm) de marcapasos, ya que las señales de radiofrecuencia podrían interferir con su funcionalidad.
- No utilice el producto cerca de gases inflamables o en un área potencialmente explosiva (por ej. un taller de pintura).

¡ATENCIÓN!

¡Riesgo de daño!

El uso indebido del producto puede dañarlo.

- Deje de utilizar el producto si se producen grietas o roturas en las piezas de plástico o si éstas se deforman.
- Siempre coloque el producto sobre una superficie estable y nivelada. Puede dañarse si se cae.
- Mantenga el producto alejado de hogueras y superficies calientes.
- Nunca sumerja el producto en agua u otros líquidos.
- No abra la carcasa. Contrate a un profesional calificado para realizar reparaciones.



No existe derecho a reclamación por la pérdida de datos o por los daños consecuenciales derivados de dicha pérdida.

Este producto ha sido diseñado para funcionar con una PC.

- Observe las normas de seguridad de la computadora a la cual conecta los dispositivos.

GUARDE ESTAS INSTRUCCIONES

Guarde el manual del usuario para referencia futura.

Volumen de suministro

¡ATENCIÓN!

¡Riesgo de daño!

Tenga cuidado al abrir el embalaje con un cuchillo filoso u otro objeto punzante, ya que podría dañar el producto fácilmente.

- Tenga mucho cuidado al abrirlo.
 1. Extraiga el producto del embalaje.
 2. Verifique que todas las piezas estén incluidas:
 - Mouse para videojuegos
 - Alfombrilla XL XL de mouse para videojuegos
 - Cable USB para la Alfombrilla XL del mouse
 - Manual del usuario y tarjeta de garantía
 3. Verifique si el producto o sus partes individuales están dañados. Si es el caso, no utilice el producto. Contacte al fabricante al número de teléfono de servicio o a la dirección de correo electrónico indicados en la tarjeta de garantía.

Mouse para videojuegos

Instalación

- Encienda la computadora y todos los dispositivos periféricos conectados (monitor, impresora, etc.) y espere hasta que el sistema operativo se haya iniciado por completo.
- Conecte el mouse a un puerto USB libre en su computadora.
- Los controladores del mouse se instalan automáticamente.
El controlador estándar de Windows sólo soporta las funciones básicas del mouse. Para las funciones extendidas, descargue el software del mouse como se describe en la página 25.

Ajustes de DPI

- Presione el botón selector DPI  para cambiar la resolución de puntos por pulgada.

El valor se modifica cada vez que se presiona el botón DPI. Los siguientes valores vienen configurados de fábrica: 1200, 1600, 2400 y 3200.

El orden de los valores se puede ajustar utilizando el software suministrado. Es posible configurar cuatro valores.

Software

Descargue el software del mouse aquí:

http://cdn.medion.com/downloads/software/illuminated_mouse_MD85032.exe

Para configurar el mouse es necesario descargar el software del mouse. Use los menús para definir las funciones de los botones, cambiar los parámetros del control del mouse o programar macros.

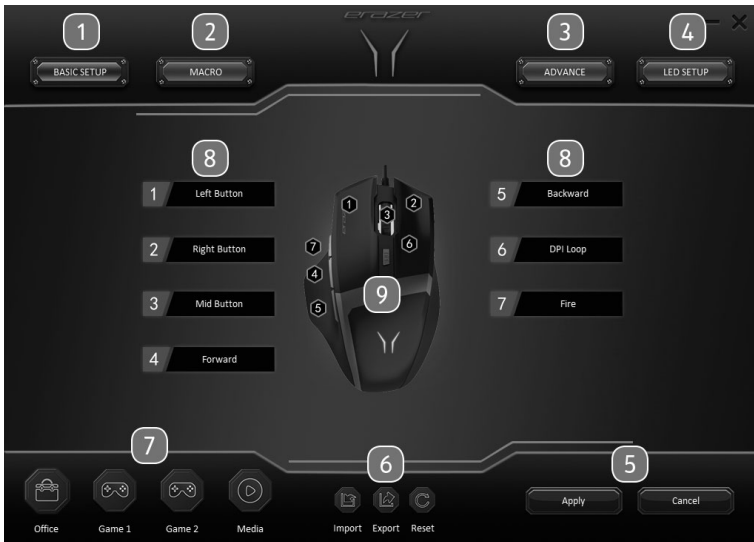
- Conecte el mouse a la PC o computadora portátil y espere a que se instalen los controladores.
- Instale el software suministrado.
- Inicie el programa de configuración.

Requisitos del sistema

- Sistema operativo Windows® en su versión actual
- 1 x puerto USB

Configuración del mouse

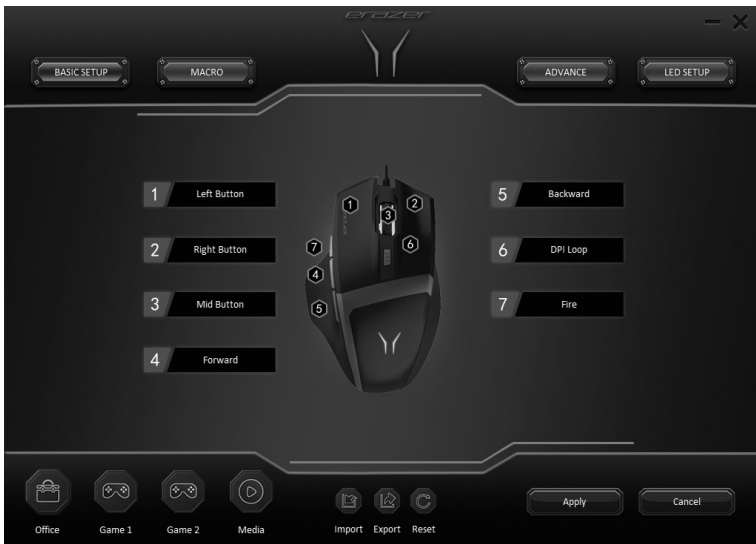
La interfaz de usuario



- 1 **Base Setting:** Configuración básica
- 2 **MACRO:** Crear y gestionar macros
- 3 **ADVANCE:** Configuración avanzada
- 4 **LED SETUP:** Configuración de los colores de las luces LED
- 5 **Apply:** Confirmar la entrada y cerrar la ventana
Cancel: Cancelar la entrada
- 6 **Import:** Importar configuraciones de las que se hicieron copias de seguridad
Export: Hacer copias de seguridad de las configuraciones creadas
Reset: Restablecer las configuraciones
- 7 **Office:** Configuración predefinida del mouse para controlar programas de oficina
Game 1 / Game 2: Configuración predefinida del mouse para controlar juegos
Media: Configuración predefinida del mouse para controlar programas multimedia
- 8 **Lista de botones:** Configuraciones para la asignación de botones
- 9 Vista general del mouse con todos los botones

BASIC SETUP

El menú **BASIC SETUP** permite definir la asignación de los botones individuales del mouse y adaptarlos a sus necesidades.



- Mediante los menús 1-7 del centro de la pantalla seleccione una asignación para el correspondiente botón del mouse.

El mouse se suministra con configuraciones de fábrica, las cuales se pueden activar con los botones **Office**, **Game 1**, **Game 2** y **Media**.

MACRO



El menú **MACRO** permite programar y administrar macros.

ADVANCE



En **ADVANCE** se puede configurar la precisión del puntero del mouse, la velocidad de la rueda del mouse, la velocidad de disparo y los valores de DPI del mouse.

- El control deslizante **Pointer precision** permite configurar la precisión del puntero del mouse.
- El control deslizante **Wheel Speed** permite configurar la velocidad de la rueda del mouse.
- El control deslizante **Fire Speed** permite configurar la velocidad de disparo del mouse.
- Haga clic en DPI 1, DPI 2, DPI 3 o DPI 4 para seleccionar uno de los valores de DPI predefinidos.
- El control deslizante DPI permite configurar un valor de DPI cualquiera hasta 3200 DPI.

LED SETUP



En la ventana del menú **LED SETUP** se establece la velocidad de iluminación del mouse.

- Seleccione **Slow**, **Fast**, **Static** o **Off** y haga clic en **Apply**.

Alfombrilla XL XL de mouse para videojuegos

Instalación

- Encienda la computadora y todos los dispositivos periféricos conectados (monitor, impresora, etc.) y espere hasta que el sistema operativo se haya iniciado por completo.
- Conecte la Alfombrilla XL del mouse a un puerto USB libre en su computadora.

Configuración de la iluminación

- Presione el interruptor **8** varias veces hasta llegar a la opción de iluminación deseada.

Las doce configuraciones de color diferentes se pueden seleccionar una después de la otra.

Configuración de la iluminación	
1	Rojo
2	Amarillo
3	Verde claro
4	Verde oscuro
5	Azul claro
6	Azul oscuro
7	Lila
8	Blanco
9	Ciclo de un color a la vez con apagado lento
10	Ciclo de un color a la vez con apagado rápido
11	Ciclo de todos los colores a la vez
12	Ciclo de todos los colores a la vez con cambio rápido

- Para encender y apagar la Alfombrilla XL del mouse, presione el interruptor y manténgalo presionado aproximadamente 5 segundos.

Solución de problemas

Si el producto no responde después de su instalación, verifique lo siguiente:

- Intente utilizar un puerto USB diferente en su computadora.
- Asegúrese de no utilizar el mouse en una superficie de vidrio o reflectora. Utilice la Alfombrilla XL del mouse para obtener mejores resultados.

Limpieza

¡ATENCIÓN!

¡Riesgo de descarga eléctrica!

El agua y otros líquidos que penetren en la carcasa pueden causar un cortocircuito.

- Asegúrese de que no entren agua ni otros líquidos en la carcasa.
- Nunca sumerja el producto en agua u otros líquidos.

¡ATENCIÓN!

¡Riesgo de daño!

El manejo indebido del producto puede ocasionar daños.

- No utilice limpiadores abrasivos, cepillos con cerdas de metal o nylon ni utensilios filosos o metálicos de limpieza tales como cuchillos, raspadores o similares. Estos podrían dañar las superficies.
- Limpie el producto con un paño húmedo. Luego deje que todas las piezas se sequen por completo.

Almacenamiento

Todas las piezas deben estar completamente secas antes de guardarse.

- Siempre guarde el producto en un área limpia y seca.
- Proteja el producto de la exposición directa a la luz solar.
- Guarde el producto fuera del alcance de los niños.

Datos técnicos

Modelo:	MD85032
Requisito del sistema:	Windows® en su versión actual
Dimensiones	
Mouse (An × Al × La)	aprox. 3.19 x 1.73 x 5.20 in. (8.1 × 4.4 × 13.2 cm)
Alfombrilla XL del mouse (An × Al × La)	aprox. 11.81 x 0.12 x 27.56 in. (30 × 0.3 × 70 cm)
Código de producto:	703267
Sistema operativo	Windows en su versión actual

USB® es una marca registrada de USB Implementers Forum, Inc.

Microsoft®, Windows® y otros nombres de productos de Microsoft son marcas registradas de Microsoft Corporation.

Mac® es una marca registrada de Apple Inc. en los EE.UU. y otros países.

Todos los demás nombres y productos pueden ser marcas comerciales o registradas de sus respectivos dueños.

Declaración de la FCC

Se ha comprobado que este equipo cumple los límites para dispositivos digitales de clase B, de acuerdo con la Sección 15 de los reglamentos de la FCC.

Estos límites han sido diseñados para proporcionar una protección razonable contra interferencias perjudiciales en una instalación residencial. Este equipo genera, utiliza y puede irradiar energía de radiofrecuencia y, si no se instala y se utiliza de acuerdo con las instrucciones, podría ocasionar interferencias perjudiciales para las comunicaciones por radio. Sin embargo, no se puede garantizar que dicha interferencia no ocurra en una instalación determinada. Si este equipo causa interferencia perjudicial para la recepción de radio o televisión, lo cual puede determinarse al apagar y encender el equipo, el usuario debe intentar corregir la interferencia mediante una o más de las siguientes medidas:

- Cambiar la orientación o la posición de la antena receptora.
- Aumentar la separación entre el equipo y el receptor.
- Conectar el equipo a un tomacorriente en un circuito distinto de aquel al cual está conectado el receptor.
- Consultar al distribuidor o a un técnico especializado para obtener ayuda.

Los cambios o las modificaciones no expresamente aprobados por la parte responsable del cumplimiento podrían anular la autorización del usuario para operar el equipo. Deben utilizarse cables de interfaz blindados, si los hay, para cumplir con los límites de emisiones.

Este dispositivo cumple con la Sección 15 de los reglamentos de la FCC. La utilización está

sujeta a las dos condiciones siguientes:

- (1) Este dispositivo no debe causar interferencias dañinas y
- (2) este dispositivo debe aceptar cualquier interferencia recibida, incluidas las que puedan causar un funcionamiento no deseado.

El siguiente folleto, redactado por la Comisión Federal de Comunicaciones (FCC), puede resultarle útil: "How to Identify and Resolve Radio-TV Interference Problems" ("Cómo identificar y resolver los problemas de interferencias de radio-televisión"). El folleto está disponible de la Oficina de Impresión del Gobierno de EE. UU., Washington D.C. 20402.

Eliminación

Eliminación del embalaje



Clasifique el embalaje antes de desecharlo. Deseche el papel y el cartón a través del servicio de reciclaje; deseche el resto del material de embalaje con el resto de los residuos.

Eliminación del producto

- Cuando el producto llegue al final de su vida útil, deséchelo de acuerdo con las normas vigentes en su ciudad o estado.
- Asegúrese de que la información sobre reciclaje corresponda con las normas locales y las recomendaciones de la EPA (Agencia para la Protección del Medio Ambiente de los EE.UU., www.epa.gov).

Información de servicio

Póngase en contacto con nuestro equipo de servicio al cliente si su dispositivo deja de funcionar de la manera deseada o esperada. Existen varias maneras de contactarnos:

- En nuestra comunidad de servicio (Service Community) podrá conocer a otros usuarios y a nuestro personal. También podrá intercambiar experiencias e información.
Nuestra comunidad de servicio se encuentra en community.medion.com.
- Como alternativa, utilice el formulario de contacto en www.medion.com/contact.
- También puede ponerse en contacto con nuestro equipo de servicio llamando a nuestra línea directa o por correo.

Horario de apertura	Línea directa
Lun – Vie: 9:00 am a 6:00 pm EST	① +1 (866)633-4660

Dirección de servicio

MEDION U.S.A. Inc.
P.O. Box 1076
Highland Park, IL 60035
us.info@medion.com



Puede descargar estas instrucciones de uso así como muchas otras instrucciones de nuestro portal de servicio en www.medion.com/us/. Allí encontrará también controladores y software para una amplia gama de dispositivos.

También puede escanear el código QR que se encuentra al costado de la pantalla para descargar las instrucciones de uso a su dispositivo móvil.

Aviso legal

Copyright © 2020

Fecha: 28. agosto 2020, 12:24 p. m.

Todos los derechos reservados.

Estas instrucciones de uso están protegidas por derechos de autor.

Queda prohibida la reproducción mecánica, electrónica y de otra naturaleza sin la autorización escrita del fabricante.

Los derechos de autor son propiedad de la compañía:

MEDION AG

Am Zehnthof 77

45307 Essen

Alemania

Tenga en cuenta que no puede utilizar la dirección anterior para devoluciones. Póngase siempre en contacto con nuestro equipo de atención al cliente primero.



DIST. & SOLD EXCLUSIVELY BY:

ALDI
BATAVIA, IL 60510

**AFTER SALES SUPPORT
SERVICIO POSVENTA**

703267

  **1-866-633-4660**

 **us.info@medion.com**

MODEL / MODELO:
MD 85032

12/2020

3

**YEARS WARRANTY
AÑOS DE GARANTÍA**