



User Manual

Spend a little Live a lot.



DIGITAL SEWING MACHINE

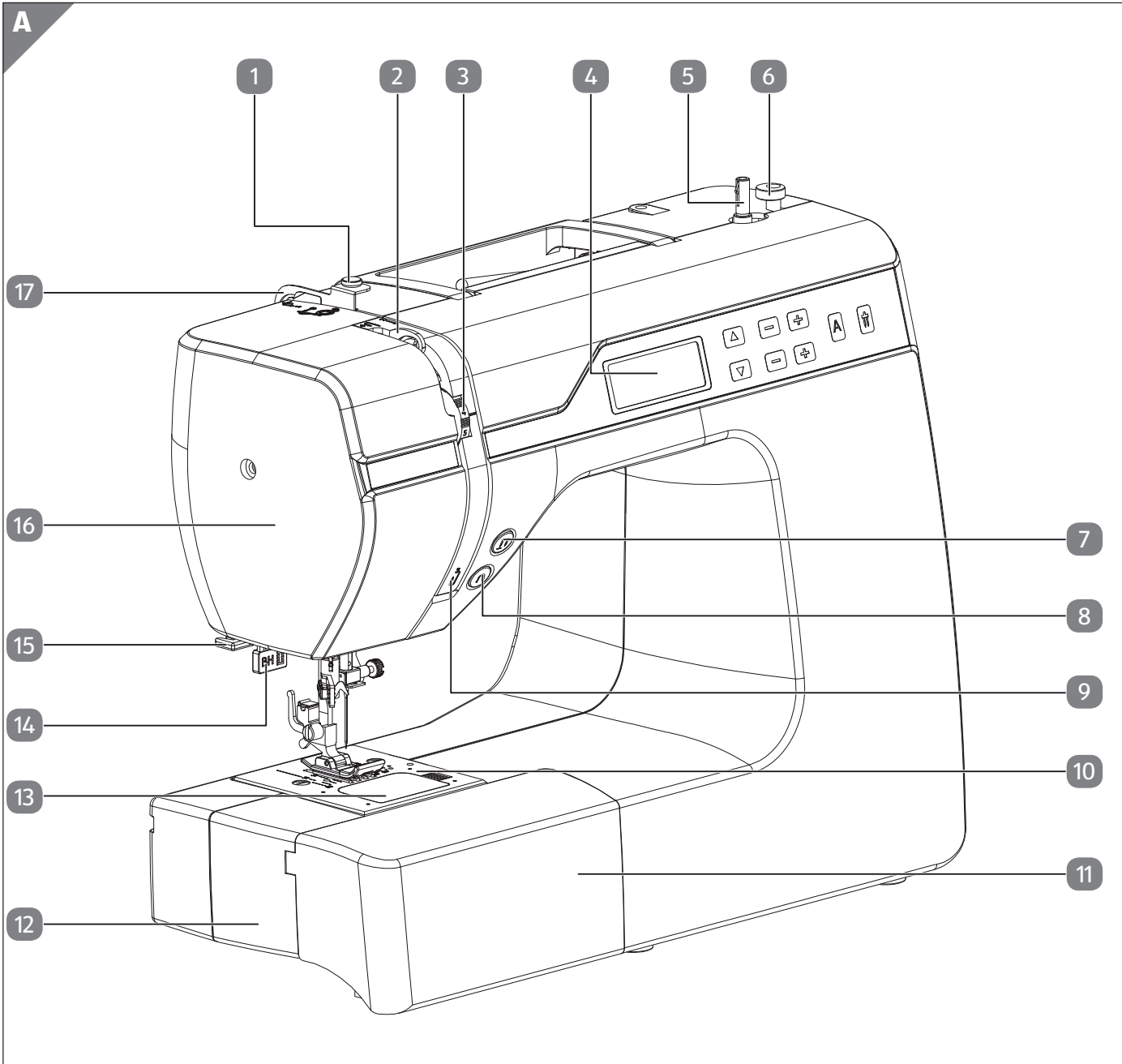


00	01	02	03	04	05	06	07	08	09	10	11	12	13	14	15	16	17	18	19	20	21	22	23	24
0	1	2	3	4	5	6	7	8	9	A	B	C	D	E	F	G	H	I	J	K	L	M	N	O
P	Q	R	S	T	U	V	W	X	Y	Z	a	b	c	d	e	f	g	h	i	j	k	l	m	n
o	p	q	r	s	t	u	v	w	x	y	z	!	?	&	'	"	~	-	/	:	;	;	;	;
;	;	;	;	;	;	;	;	;	;	;	;	;	;	;	;	;	;	;	;	;	;	;	;	;
;	;	;	;	;	;	;	;	;	;	;	;	;	;	;	;	;	;	;	;	;	;	;	;	;

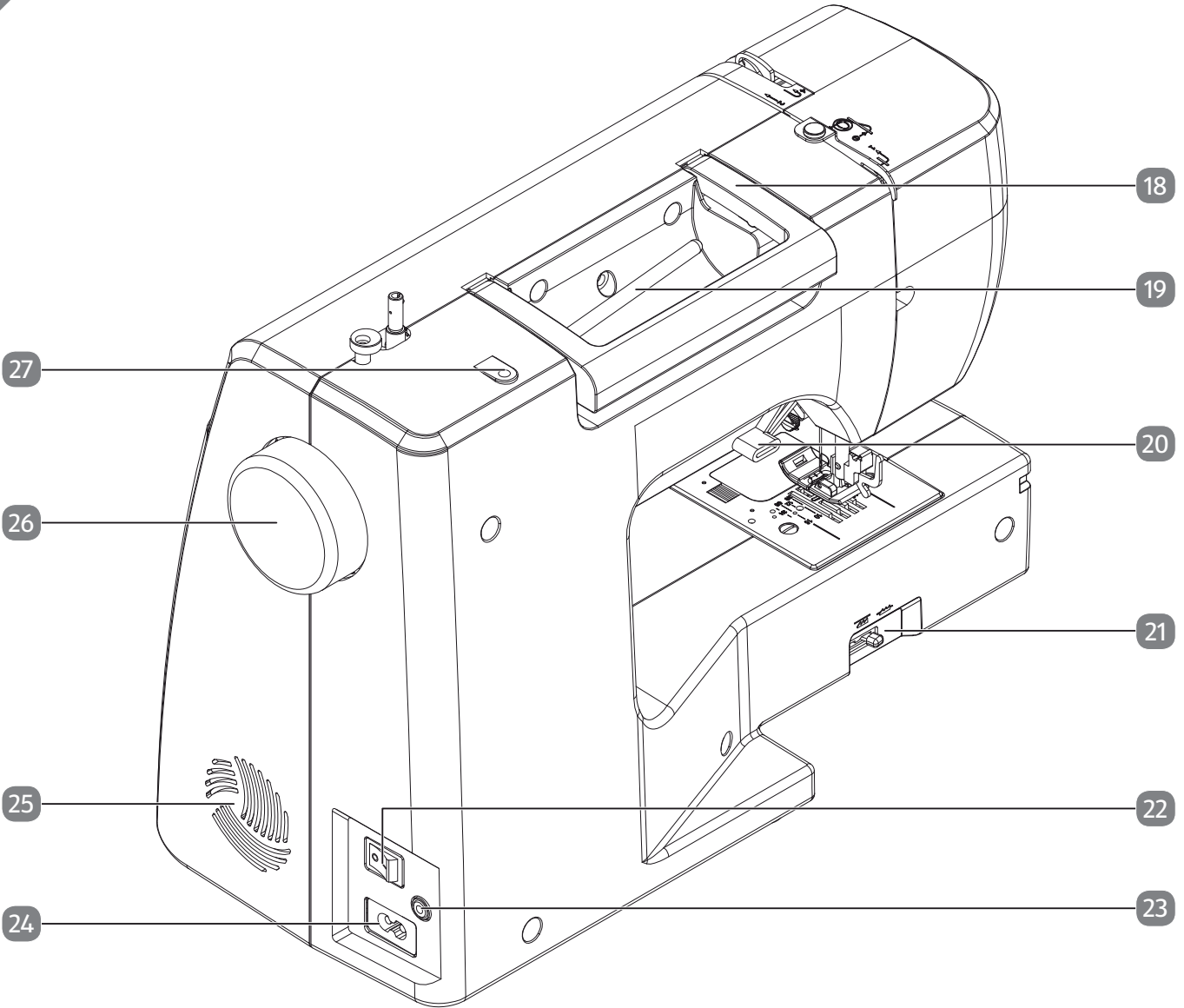


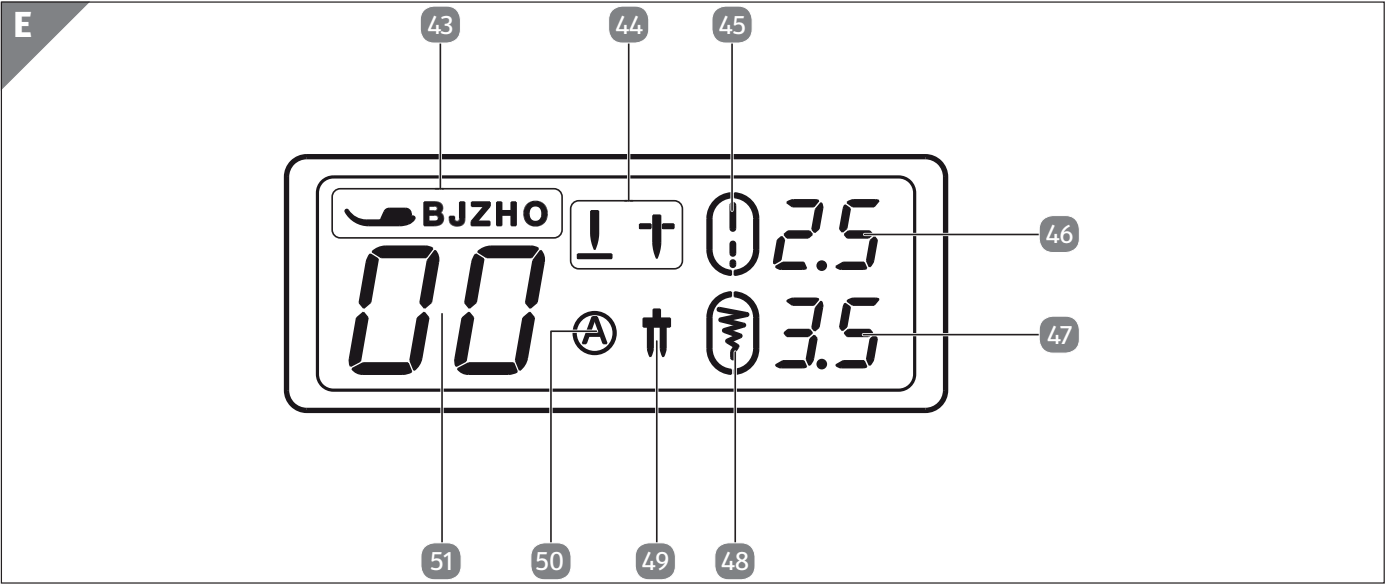
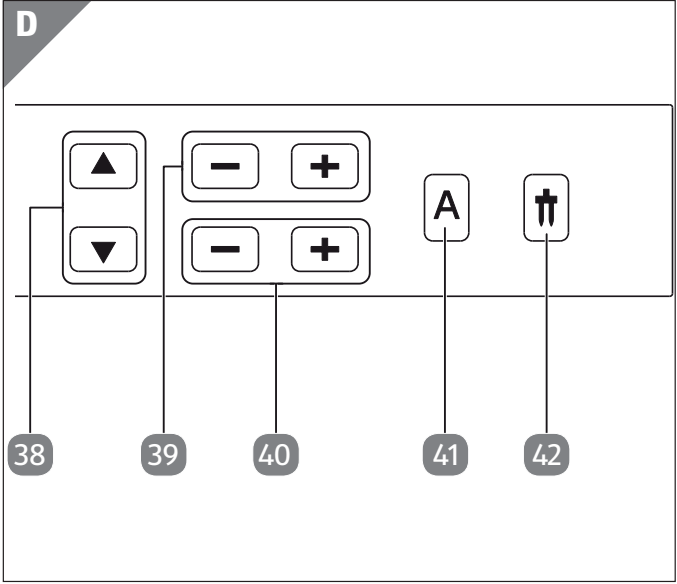
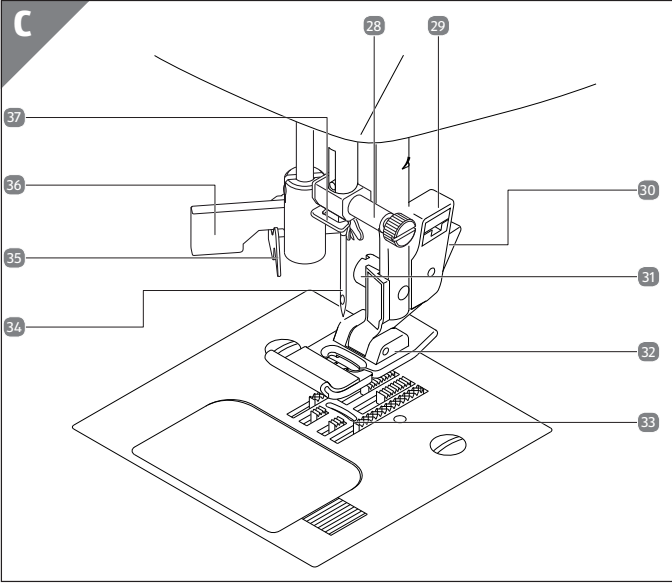
Contents

Overview	3
Device parts	6
About these operating instructions	9
Safety instructions	11
Getting to know your appliance	13
Preparatory work	16
Settings	24
Sewing	26
Maintenance and cleaning	40
Faults	43
Fabric, thread and needle table	45
Programme selection	46
Disposal	48
Technical data	48
Legal Notice	49
Index	50
Warranty Card	51
Warranty conditions	52



B





Device parts

- 1 Winding thread guide
- 2 Thread take-up
- 3 Upper thread tension regulator
- 4 Display
- 5 Bobbin spindle
- 6 Winding stop
- 7 Needle end position
- 8 Reverse lever
- 9 Thread guide
- 10 Needle plate
- 11 Accessories box
- 12 Free arm
- 13 Bobbin cartridge cover
- 14 Automatic buttonhole lever
- 15 Thread cutter
- 16 Front cover
- 17 Upper thread guide
- 18 Fold-down carrying handle
- 19 Cotton reel holder
- 20 Presser foot lever
- 21 Fabric feeder lowering lever
- 22 Main switch (motor and light)
- 23 Plug housing for foot pedal
- 24 Plug housing for power cable
- 25 Ventilation slots
- 26 Hand wheel
- 27 Mounting shaft for second cotton reel holder
- 28 Needle holding screw
- 29 Presser foot holder
- 30 Presser foot release lever
- 31 Presser foot holding screw
- 32 Presser foot
- 33 Fabric feeder
- 34 Needle
- 35 Threading mechanism
- 36 Auto threader lever
- 37 Needle holder thread guide
- 38 Programme selection buttons
- 39 Stitch length selection buttons
- 40 Stitch width selection buttons
- 41 Letter mode selection button
- 42 Twin needle mode selection button
- 43 Presser foot indicator
- 44 Needle end position indicator
- 45 Default stitch length indicator
- 46 Stitch length display
- 47 Stitch width display
- 48 Default stitch width indicator
- 49 Twin needle indicator
- 50 Letter mode indicator
- 51 Programme indicator

Contents

Overview	3
Device Parts.....	6
About these operating instructions	9
Warning symbols and key words used in these operating instructions.....	9
Proper use.....	9
Declaration of conformity	10
Safety instructions	11
Keep electrical equipment out of reach of children	11
Mains cable and mains connection	11
General information	11
Never carry out repairs yourself	12
Handling the appliance safely.....	12
Cleaning and storage	12
Getting to know your appliance	13
Package contents.....	13
Contents of the accessories box	14
Electrical connections.....	15
Controlling the sewing speed.....	15
Attaching and removing the table extension.....	15
Accessories box	16
Preparatory work	16
Fitting a cotton reel.....	16
Winding thread on to the bobbin	16
Removing the bobbin	17
Inserting the bobbin	18
Threading the upper thread	19
Representation of the upper thread guide	21
Auto threader for the needle	22
Bringing up the lower thread	23
Settings	24
Setting the thread tension.....	24
Adjusting the upper thread tension	24
Checking the thread tension.....	25
Setting the needle end position	25
Sewing.....	26
General information	26
Selecting the right needle	26
Raising and lowering the presser foot	26
Reverse stitching/pattern completion.....	27
Removing fabric from the sewing machine.....	27
Changing the sewing direction	27
Cutting the thread	27
Programme selection	28
Stitch width setting.....	28
Setting the stitch length.....	28

Setting the stitch types.....	29
Decorative stitches.....	33
Image pattern stitches	33
Letter patterns	33
Buttonholes	34
Sewing on buttons and hooks and eyes	35
Sewing in zips.....	36
Gathering	37
Appliqué.....	37
Sewing with a twin needle.....	38
Sewing with the free arm	39
Maintenance and cleaning	40
Changing the needle.....	40
Removing and fitting the presser foot.....	41
Removing and fitting the presser foot holder	41
Maintaining the sewing machine.....	41
Faults	43
Helpful messages.....	44
Fabric, thread and needle table	45
Helpful sewing tips	45
Programme selection.....	46
Stitch programmes	46
Letter programmes.....	47
Disposal	48
Technical data	48
Legal Notice.....	49
Index	50
Warranty Card	51
Warranty conditions.....	52

About these operating instructions



Before using the device for the first time, read these operating instructions thoroughly and follow the safety advice!

This device is only to be used as described in the operating instructions.

Please keep these instructions in a safe place for future reference.

If you pass on the machine to another party it is essential that you also provide the operating instructions.

Warning symbols and key words used in these operating instructions

⚠ DANGER!

This signal word indicates a hazard with a high level of risk which, if not avoided, will result in death or serious injury.

⚠ WARNING!

This signal word indicates a hazard with a medium level of risk which, if not avoided, could result in death or serious injury.

⚠ CAUTION!

This signal word indicates a hazard with a low level of risk which, if not avoided, could result in minor or moderate injury.

NOTICE!

This signal word warns of possible damage to property.



TIP

Sewing tips to make your work easier



This symbol gives you useful additional information on assembly or operation.



Declaration of conformity (see section 'Declaration of conformity'): Products that feature this symbol meet the requirements of the EC directives.

Proper use

Your appliance offers a number of options for usage:

The sewing machine is designed for the hemming and decoration of light to heavyweight material.

The machine can handle textiles, composite fabrics and thin leather.

- The machine is intended for private use only and not for industrial/commercial use.

Please note that we shall not be liable in cases of improper use:

- Do not modify the device without our consent and do not use any auxiliary equipment which we have not approved or supplied.
- Use only spare parts and accessories that we have supplied or approved.
- Observe all the information in these operating instructions, especially the safety information. Any other use is deemed improper and can cause personal injury or damage to the appliance.
- Do not use the device in extreme environmental conditions.

Declaration of conformity

Medion AG hereby declares that the product conforms to the following European requirements:

- EMC Directive 2014/30/EC
- Low Voltage Directive 2014/35/EC
- Ecodesign Directive 2009/125/EC
- RoHS Directive 2011/65/EU



Safety instructions

Keep electrical equipment out of reach of children

- This appliance may be used by children over the age of 8 and by persons with reduced physical, sensory or mental abilities or by those without experience and/or knowledge, if they are supervised or have been instructed in the safe use of the device and have understood the potential risks. Do not allow children to play with the appliance. Cleaning and user maintenance must not be performed by children unless they are older than 8 years of age and are supervised.
- Children younger than 8 should be kept away from the appliance and the mains cable.

DANGER!

Risk of suffocation!

Packaging film can be swallowed or used improperly. Therefore, there is a risk of suffocation!

- Keep packaging material such as plastic film or plastic bags away from children.

Mains cable and mains connection

- Connect the machine only to a power socket (230 V ~ 50 Hz) that is easy to reach and close to the place where you have set up the machine. The socket outlet must be freely accessible so that you can unplug the device from the mains quickly if necessary.
- When you unplug the machine, always take hold of the plug itself, not the cable.
- Fully unwind the cable during use.
- The mains cable and extension cable must be positioned so that no-one can trip over them.
- The cable must not come into contact with hot surfaces.
- When you leave the sewing machine, pull out the mains plug to prevent any accidents due to unintentional switching on.
- Switch off and unplug the sewing machine when carrying out any of the following activities: threading or changing the needle, adjusting the presser foot, cleaning and maintenance work and also after finishing work or during breaks.

General information

- Do not allow the sewing machine to get wet – there is a risk of injury due to electric shock!
- Never leave the sewing machine unattended while it is switched on.
- Do not use the sewing machine out of doors.
- Do not use the sewing machine in wet or humid environments or when it is wet.
- The machine may only be operated with the foot pedal supplied (model ES01FC).

Never carry out repairs yourself

WARNING!

Risk of electric shock!

There is a risk of electric shock if repairs are not carried out by qualified personnel!

- Never try to open or repair the product yourself!
- In the event of a fault or if the mains cable is damaged, contact the Service Centre or another suitable specialist workshop.
- If the machine or mains cable is damaged, remove the plug from the mains immediately.
- To avoid risks, do not operate the sewing machine if the appliance or the mains cable display any visible damage.
- In order to prevent risks, damaged mains cables should be replaced by the manufacturer, the manufacturer's customer service department or a similarly qualified person.

Handling the appliance safely

- Place the sewing machine on a sturdy, level work surface.
- The ventilation openings should not be obstructed during operation: do not allow any objects (such as dust, thread, etc.) to get into the openings.
- Keep the foot pedal free of lint, dust and textile waste.
- Do not place any objects on the foot pedal.
- Use only the accessories supplied.
- Only use special sewing machine oil to lubricate the appliance. Do not use any other liquids.
- Be careful when using the moving parts of the machine, in particular the needle. There is a risk of injury – even when the machine has been disconnected from the mains!
- When sewing, make sure that your fingers are never underneath the needle clamp screw.
- Do not use bent or blunt needles.
- When sewing, do not hold the fabric tight or pull the fabric. The needles could break.
- When you have finished sewing, always move the needle to its highest position.
- Always turn off and unplug the machine whenever you leave the machine unattended or before you start maintenance.

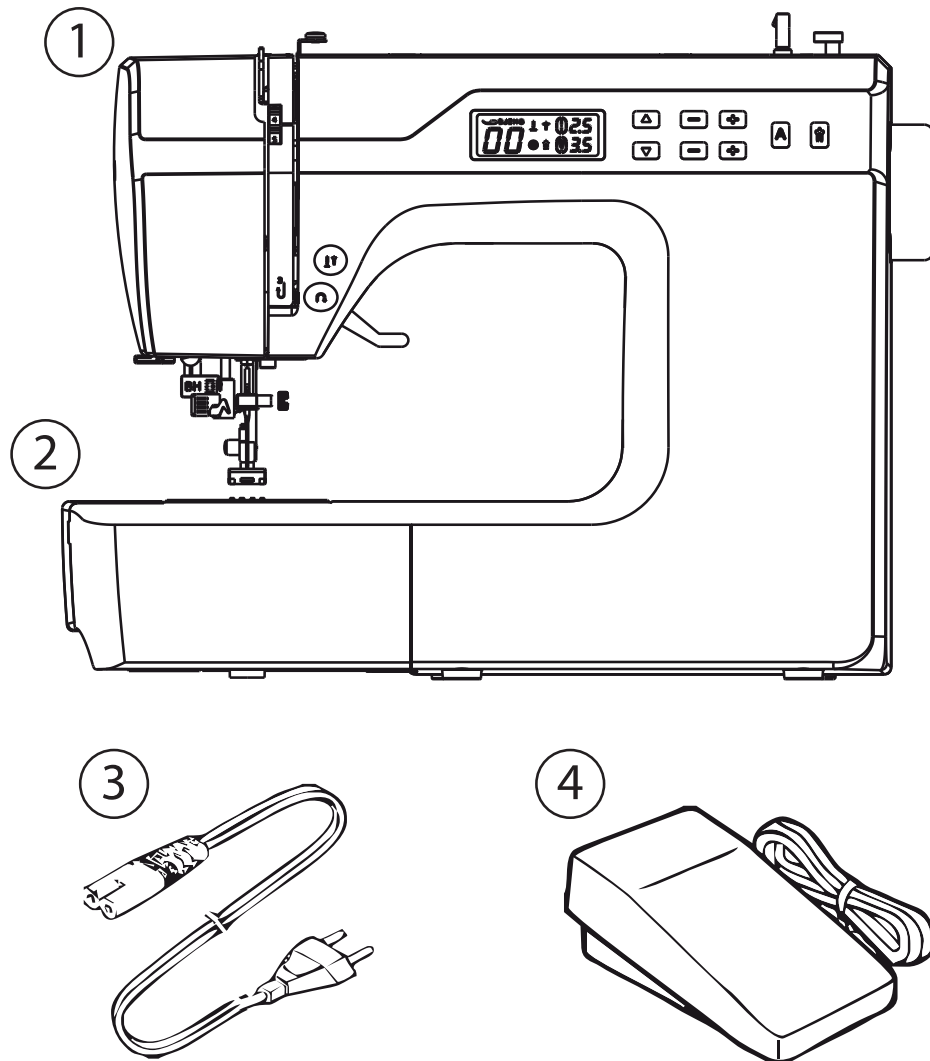
Cleaning and storage

- Before cleaning, pull the plug out of the mains socket. Use a dry, soft cloth for cleaning. Avoid the use of chemical solutions and cleaning products because these may damage the appliance surface and/or markings.
- Always store the sewing machine using the cover hood provided to protect it from dust.

Getting to know your appliance

Package contents

When unpacking, ensure that the following parts are included:



- 1) Sewing machine
- 2) Table extension with accessories box
- 3) Mains cable
- 4) Foot pedal (type ES01FC)

The following parts not shown in the diagram:

- Standard foot (straight stitch/zigzag stitch) (already fitted)
- Hood
- Operating instructions and warranty documents

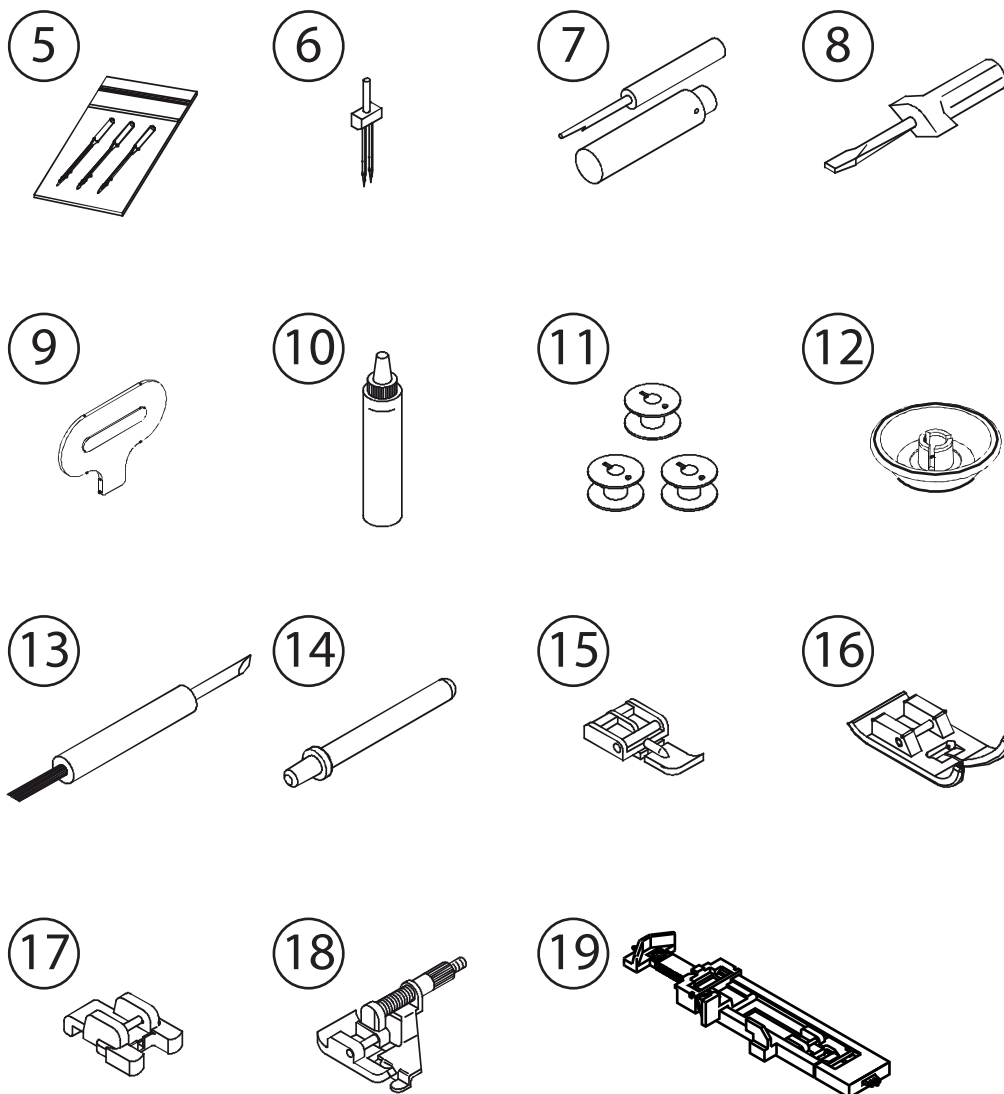
⚠ DANGER!

Risk of suffocation!

Packaging film can be swallowed or used improperly. Therefore, there is a risk of suffocation!

- Keep packaging material such as plastic film or plastic bags away from children.

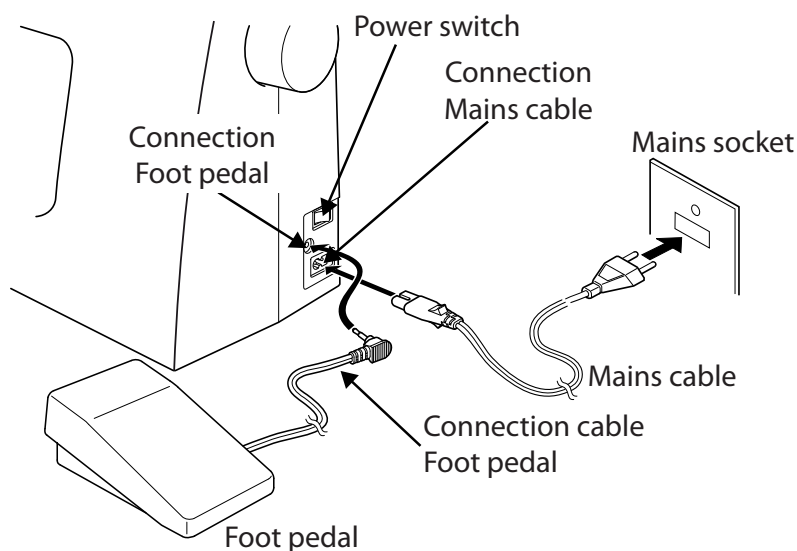
Contents of the accessories box



- 5) Selection of needles
- 6) Twin needle
- 7) Un-picker
- 8) Screwdriver (small)
- 9) Special screwdriver for needle plate
- 10) Oil can
- 11) 4 spools (3 in the accessory compartment and 1 prefitted)
- 12) Thread arrester
- 13) Cleaning brush
- 14) Additional cotton reel holder
- 15) Zip presser foot
- 16) Satin stitch foot
- 17) Button presser foot
- 18) Blind hemming foot
- 19) Buttonhole presser foot

Electrical connections

Only used the supplied foot pedal model ES01FC.



⚠ CAUTION!

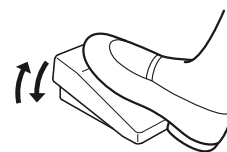
Risk of injury!

Inadvertent operation of the foot pedal can lead to a risk of injury.

- Once you have finished working or before you start maintenance, always turn off and unplug the machine.
- ▶ Connect the foot pedal using the connector for the foot pedal to the sewing machine.
- ▶ Connect the plug of the mains cable supplied into the plug housing on the machine, and then connect the power cable of the machine to the mains socket.
- ▶ Turn the machine on using the power switch **22**. The power switch turns both the sewing machine and the sewing light on.

Controlling the sewing speed

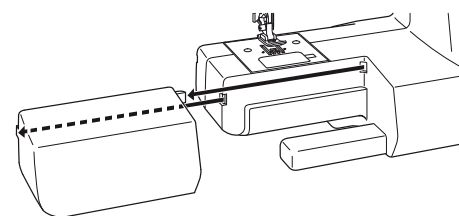
The sewing speed is controlled by the foot pedal. The sewing speed can be changed by applying more or less pressure to the foot pedal.



Attaching and removing the table extension

The machine is supplied with an attached work table.

- ▶ The table extension is removed by pushing it carefully to the left.
- ▶ To attach the table extension, carefully place the table extension on to the machine and push it to the right until it audibly clicks into place.



Accessories box

The accessories box is integrated into the table extension.

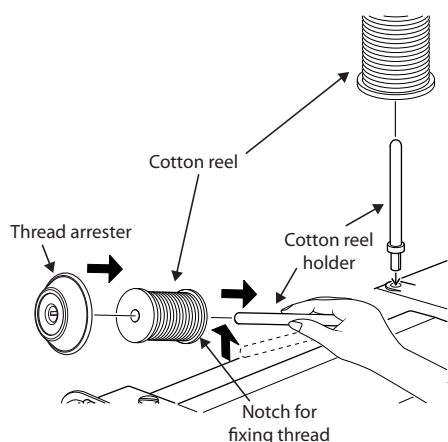
- ▶ To open it, flip up the cover of the table extension. This provides access to the accessories inside.

Preparatory work

Fitting a cotton reel

For most cotton reels, you can use the horizontal cotton reel holder **19**. If a cotton reel is too large for this cotton reel holder, then you can use the additional cotton reel holder from the accessories as a vertical cotton reel holder.

- ▶ Push the cotton reel onto the cotton reel holder **19** and fix the cotton reel with the thread arrester.



TIP

Most cotton reels have a notch which can be used for fixing the thread after use. To ensure smooth and trouble-free running of the yarn, ensure that this notch points toward the bottom.

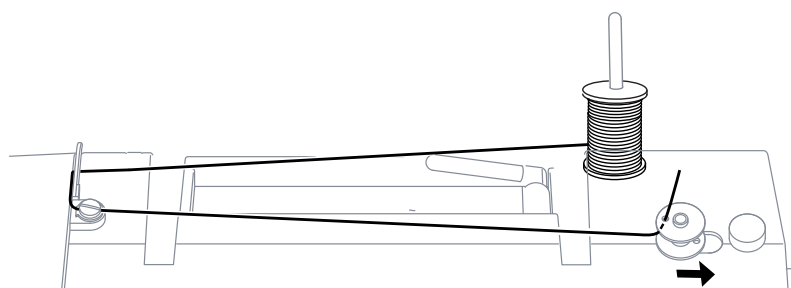
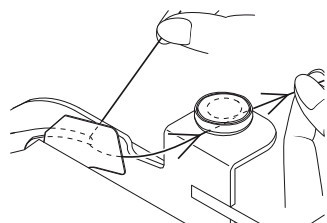
Winding thread on to the bobbin

You can use the sewing machine to easily wind thread on to the bobbins.

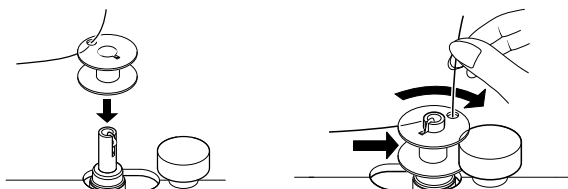
To do so, guide the thread from the cotton reel through the thread winder guide **1** to the bobbin.

The exact procedure for winding thread on to the bobbin is described in the following points:

- ▶ Push the additional cotton reel holder into the corresponding opening.
- ▶ Now guide the thread from the cotton reel through the thread winder guide **2** as illustrated.

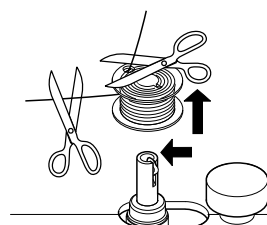


- ▶ Put the end of the thread through the bobbin hole as illustrated and wind the thread around the bobbin a few times by hand.
- ▶ Place the bobbin on the bobbin spindle **5**, with the side of the bobbin containing the end of the thread facing upwards. Move the bobbin spindle **5** to the right towards the winding stop **6** until it audibly clicks into place.



After the bobbin spindle has clicked into place on the right, the LED display changes from the programme number to the **]]** symbol. At the same time, the sewing mechanism is turned off so that the needle does not move during spooling.

- ▶ Hold onto the end of the thread and press the foot pedal. Once some thread has been wound onto the bobbin, let go of the end of the thread. Wind thread onto the bobbin until the bobbin spindle **5** automatically stops.
- ▶ Move the bobbin spindle **5** to the left and remove the bobbin.
- ▶ Cut off the protruding threads.

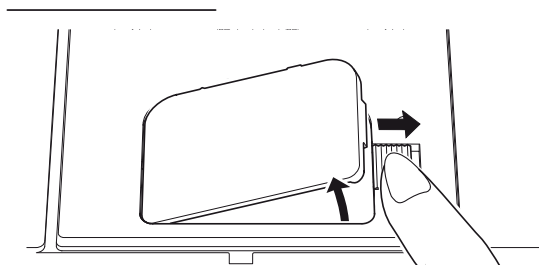


The LED display changes back from the **]]** symbol to the programme number display **51** and the sewing mechanism is reactivated.

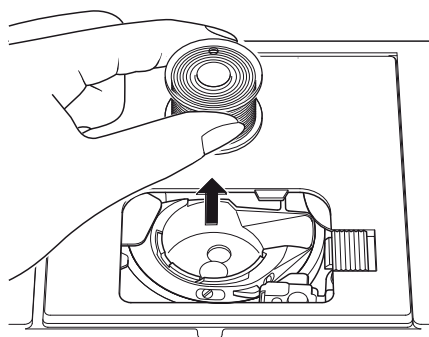


Removing the bobbin

- ▶ Raise the needle and the presser foot to their highest positions by turning the hand wheel **26**.
- ▶ Open the bobbin cartridge by pushing the release slider to the right.

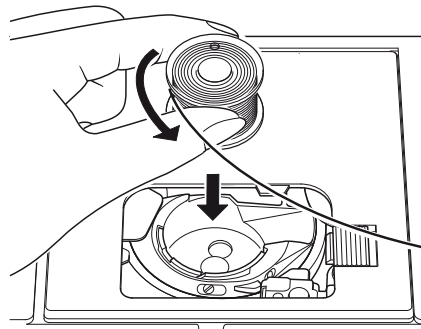


- ▶ Remove the bobbin cartridge cover **13**.
- ▶ Now carefully lift the bobbin from the bobbin cartridge.

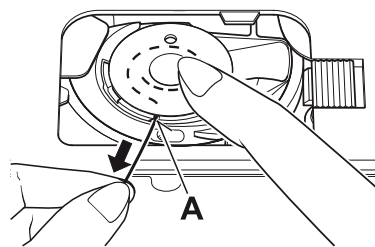


Inserting the bobbin

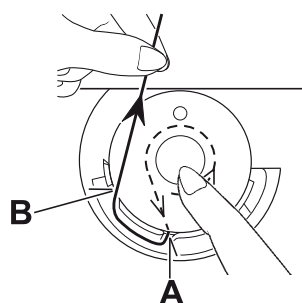
- ▶ Hold the bobbin between the thumb and index finger and leave about 15 cm of the thread hanging out.
- ▶ Place the bobbin carefully into the bobbin cartridge so that the thread is wound down from the bobbin and the bobbin turns anticlockwise if you pull on the thread.



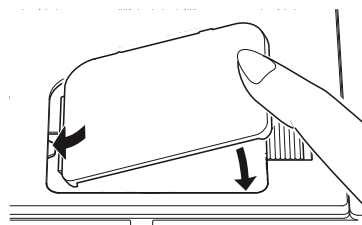
- ▶ Now pass the thread from right to left into the tensioning spring (slot A).



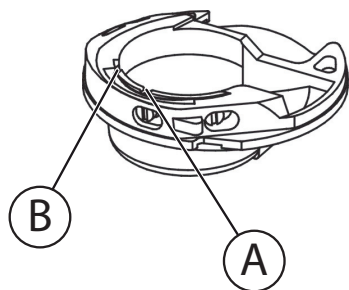
- ▶ Now pull the thread through the notch B out and over the bobbin. Leave around 15 cm of thread hanging out.



- ▶ Hold the end of the thread and close the bobbin cartridge cover **13** by first placing the cover on the left side and then pressing down until it clicks into place.



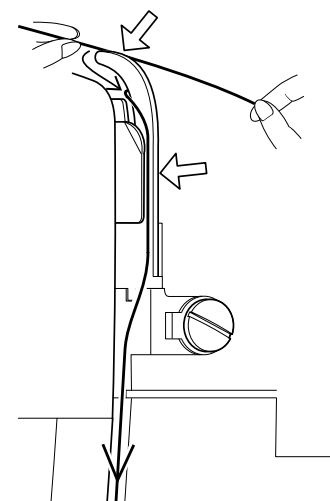
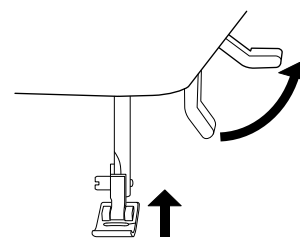
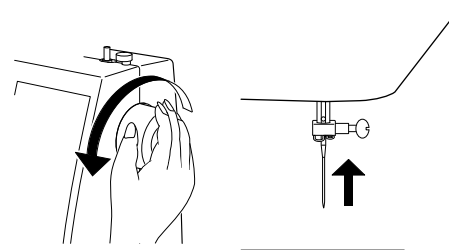
For a better overview, pull the shuttle track ring with the two thread guide notches down again.



Threading the upper thread

Please read the following instructions carefully as an incorrect sequence or thread guiding can lead to broken threads, missed stitches and gathered fabric.

- ▶ Before threading the needle, raise the needle to its top position by turning the hand wheel **26**.
- ▶ Also raise the presser foot lever **19** to its upper position: this releases the thread tension and allows easy threading of the upper thread.
- ▶ Place a cotton reel onto one of the cotton reel holders and fix the cotton reel with the thread arrester.
- ▶ Now pass the thread under the clamp spring of the upper thread guide **17** as shown:
- ▶ Then pass the thread between the tension discs of the upper thread tension regulator **3** as illustrated.

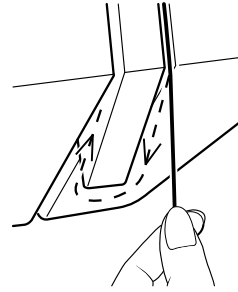


Unlike most sewing machines, the tension discs of the upper thread tensioner are not directly visible. Therefore, be very careful that the thread lies between the tension discs and does not run through the machine anywhere else.

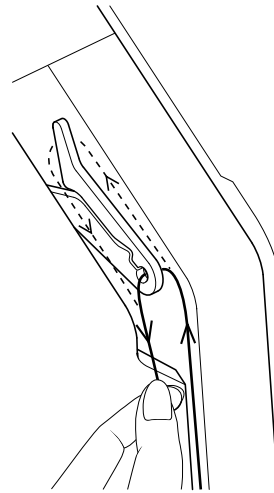
TIP

An upper thread tension of 3–4 is ideal for most applications.

- ▶ Pass the thread under the front thread guide **9** and upwards, which automatically pushes up the inner guide spring.

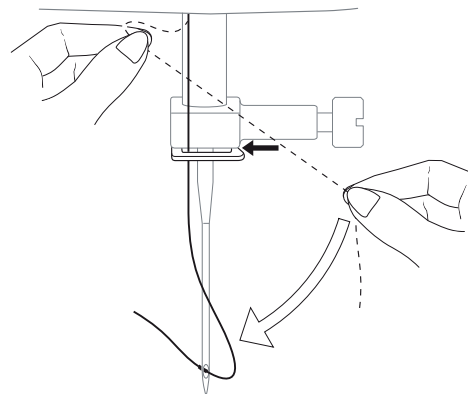


- ▶ Then insert the thread from right to left into the hook of the thread take-up **2**.



If necessary, turn the hand wheel **26** to raise the thread take-up **2**.

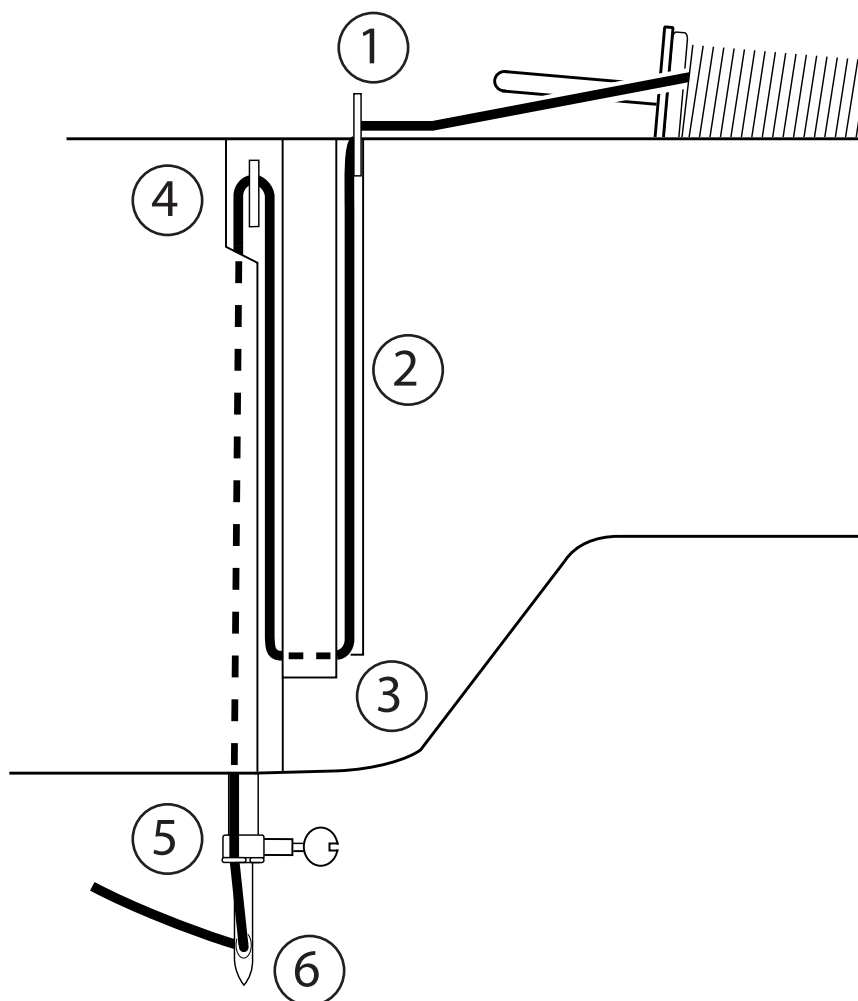
- ▶ Now guide the thread down towards the needle. This brings it through the internal thread guide **9** and the thread guide of the needle holder **37**.



Representation of the upper thread guide

For a better overview, here is a schematic representation of the course of the upper thread.

The numbers represent the sequence of steps during the threading process.



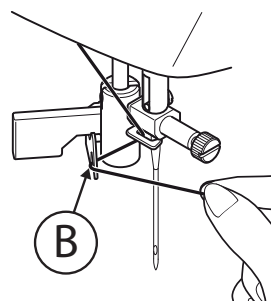
Auto threader for the needle

The sewing machine has an auto threader **35** that will help to thread the upper thread.

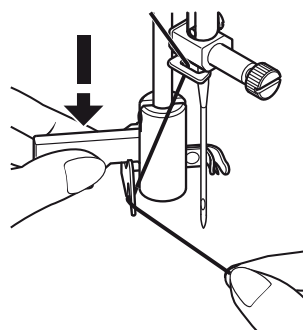


The auto threader cannot be used for threading a twin needle.

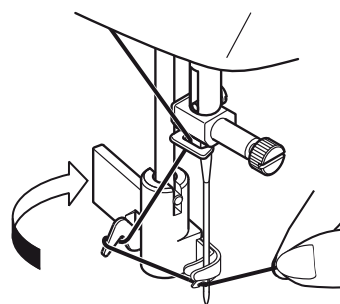
- ▶ Turn the hand wheel to bring the needle into the upper position, if necessary. Lay the thread around the thread guide **B**.



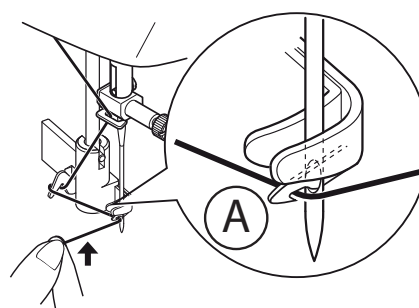
- ▶ Push the lever **36** of the threader carefully down as far as possible.



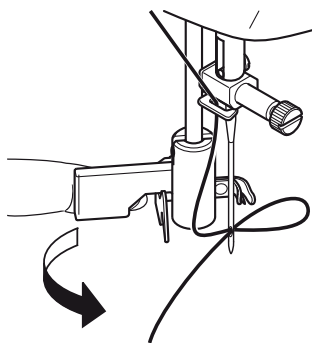
- ▶ Turn the lever **36** of the threader clockwise backwards.



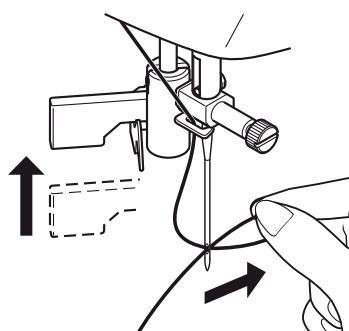
- ▶ The thread hook **A** moves automatically through the eye of the needle. Lay the thread under the thread hook **A**.



- ▶ Move the lever **36** of the threader carefully back to its starting position. The thread hook A pulls the upper thread through the eye of the needle and creates a loop behind the needle.

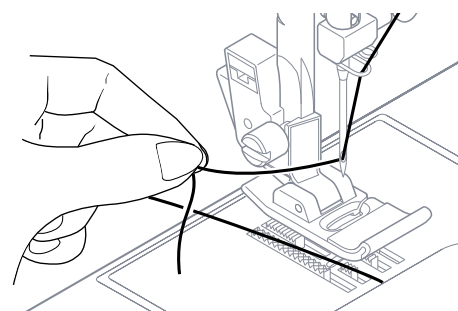


- ▶ Push the lever **36** of the threader back up again and pull the loop completely through the eye of the needle by hand to completely thread the upper thread.

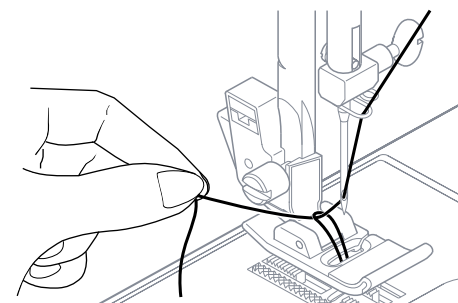


Bringing up the lower thread

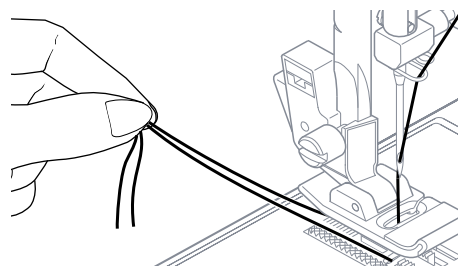
- ▶ Move the presser foot **32** to the upper position. Turn the hand wheel **26** towards you with your right hand until the needle is in the upper position.
- ▶ Hold the upper thread loosely with your left hand and turn the hand wheel **26** towards you with your right hand until the needle has moved down and back up again. Stop turning the hand wheel **26** as soon as the needle has reached its highest position.



- ▶ Pull the upper thread upwards slightly so that the lower thread forms a loop.



- ▶ Pull around 15 cm of both threads out and back from under the presser foot **32**.



Settings

Setting the thread tension

If the thread tears while you are sewing, the thread tension is too high. If small loops are formed when you are sewing, the thread tension is too low.

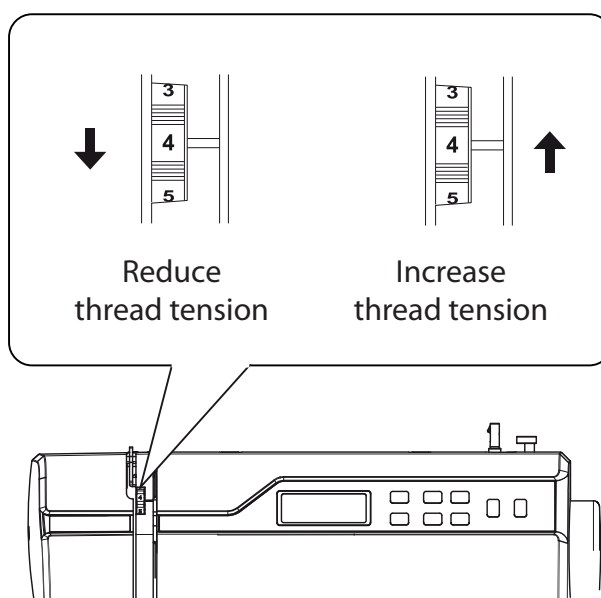
In both cases, you need to set the thread tension.

The tensions of the upper and lower threads must be in the correct proportion to each other.

Adjusting the upper thread tension

The tension is created by the discs through which the thread is guided. The pressure on these discs is controlled by the upper thread tension regulator **3**.

The higher the number, the higher the tension.



An upper thread tension of 3–4 is ideal for most sewing work.

The upper thread tension is not activated until the presser foot is lowered.

There are a number of reasons why you might need to adjust the tension. For example, different tensions are required for different fabrics.

The tension you require depends on the strength and thickness of the fabric, the number of layers of fabric you want to sew and the type of stitch you choose.

Please make sure that the tensions of the upper and lower threads match, as otherwise the fabric may gather.

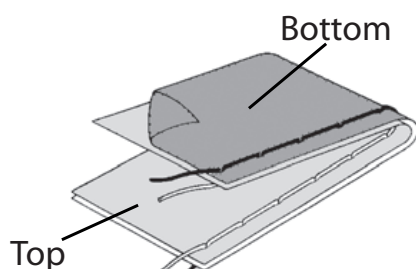
We recommend that you carry out a test on a scrap of fabric before starting work.

Checking the thread tension

Correct stitches

The tension of the upper and lower thread should be sufficient to ensure that the threads interlace in the middle of the fabric.

The fabric remains smooth and does not pucker.



Incorrect stitches

Upper thread is too tight and pulls the lower thread up. The lower thread is visible on the upper fabric layer.

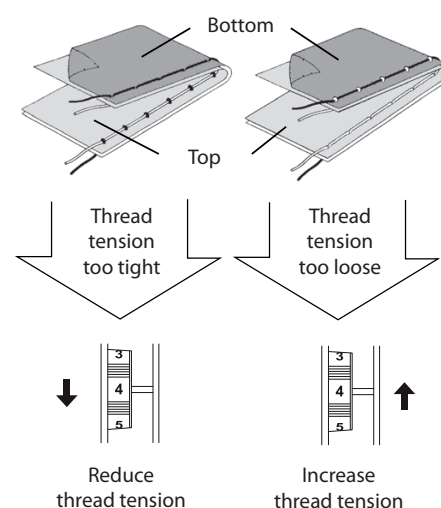
Solution:

Reduce the upper thread tension by turning the upper thread tension regulator **3** to a lower number.

Upper thread is too loose. The lower thread pulls the upper thread down. The upper thread is visible on the underside of the fabric layer.

Solution:

Increase the upper thread tension by turning the upper thread tension regulator **3** to a higher number.



Setting the needle end position

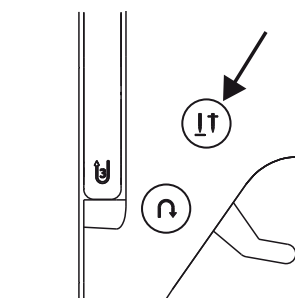
The sewing machine has an automatic needle positioning mechanism which always brings the needle into the top or bottom position when the sewing is completed.

You can set whether you want the needle to stop in the top or bottom position.

When you start sewing, the automatic needle positioning mechanism is always set to the top position as this is ideal for most work.

If you want to change the end position of the needle, proceed as follows:

- ▶ Press the needle position button **7** to set the position to the bottom position.
The needle is moved to the bottom position.
- ▶ Pressing the needle position button **7** again will bring the needle back into the top position.

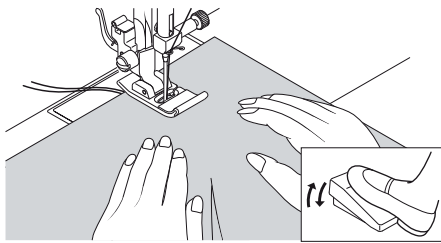


TIP

During sewing projects that require frequent changes of sewing direction, it is useful to set the needle position to the bottom position: this makes it easier to turn the material.

Sewing

General information



- Switch the main switch **22** on.
- When changing the stitch type, always move the needle to its highest position. Push the fabric sufficiently far under the presser foot **26**. Make sure there is a length of around 10 cm of the upper and lower thread behind the needle.
- Lower the presser foot lever **19**. While holding the thread with your left hand, turn the hand wheel **26** towards you and lower the needle to the point on the fabric where you want to start sewing.
- Press the foot pedal – the more pressure you apply to the foot pedal, the faster the machine runs. While sewing, guide the fabric gently by hand. Sew a few reverse stitches by actuating the reverse lever **8**, to fix the first stitches in place.



TIP

If you are not sure whether the thread tension or stitch type, for example, is correct, test the settings on a swatch.

The material runs automatically under the presser foot **26**: it should not be held fast or pulled by hand, but only be gently guided so that the stitches go in the desired direction.

Selecting the right needle

NOTICE!

Risk of damage!

Using a defective needle can cause damage to the material.

– Replace defective needles immediately.

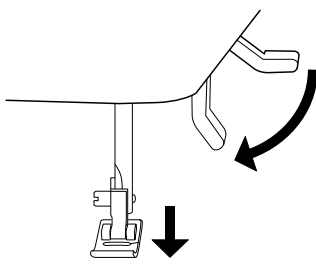
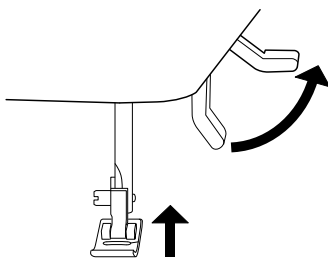
The number indicating the needle thickness is written on the shaft.

The higher the number, the thicker the needle.

Raising and lowering the presser foot

- ▶ You raise and lower the presser foot **26** by raising and lowering the presser foot lever **19** accordingly.

The presser foot **26** can be raised slightly to provide extra room when sewing thick fabrics.



Reverse stitching/pattern completion

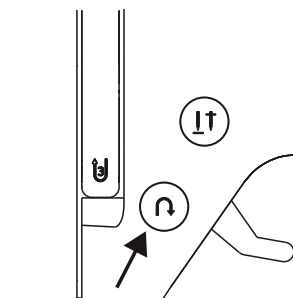
Use reverse stitches to reinforce the start and the end of a seam.

Reverse stitching with straight stitches, zigzag stitches and buttonholes

- ▶ Press and hold down the reverse button **8**.
- ▶ Press the foot pedal – the more pressure you apply to the foot pedal, the faster the machine runs.
- ▶ When you want to change back to forward stitching, simply release the reverse lever **8**.

Pattern completion for decorative stitches

- ▶ Press the reverse **8** button.
- ▶ The machine automatically makes four small stitches to finish off the pattern.
- ▶ The position of these closing stitches is always exactly where the seam ends.



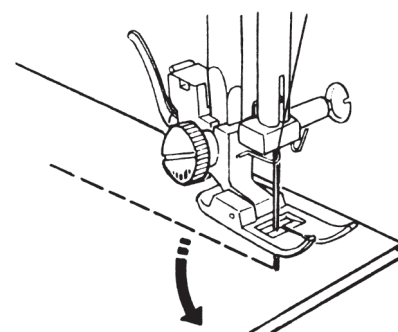
Removing fabric from the sewing machine

When you finish sewing, make sure that the needle is at its highest position. To remove the fabric, raise the presser foot **26** and pull out the fabric towards the rear.

Changing the sewing direction

To change the sewing direction at the corner of the material, proceed as follows:

- ▶ Stop the machine and turn the hand wheel **24** towards you until the needle is in the fabric.
- ▶ Raise the presser foot **26**.
- ▶ Turn the fabric around the needle to change the direction as desired.
- ▶ Lower the presser foot **26** and continue sewing.



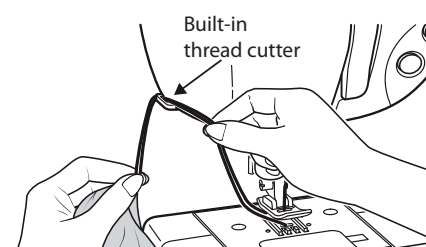
TIP

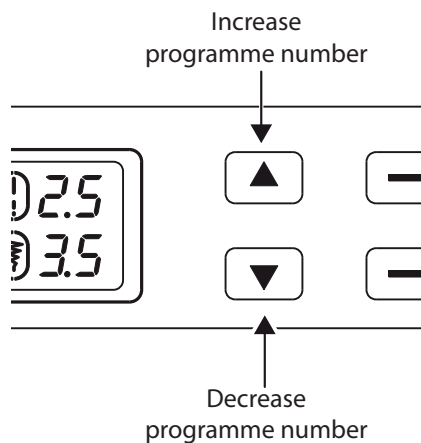
You can also set the needle to the bottom position. To do this, proceed as described in the section „Setting the needle end position“ on page 25.



Cutting the thread

Cut the thread with the thread cutter **15** on the back of the sewing machine or with a pair of scissors. Leave around 15 cm of the thread hanging behind the eye of the needle.





Programme selection

On this sewing machine, you can select a number of different functional and decorative stitches. You can use the programme selection buttons **38** to easily select the stitch pattern you want.



- ▶ Before changing the stitch, always make sure that the needle is at its highest position.
- ▶ Use the ▲ and ▼ buttons to set the desired pattern.
- ▶ If you hold down the programme selection buttons **38** for about 5 seconds, the programme numbers will scroll through in steps of ten. When you reach the desired programme range, simply release the buttons.

You will find an overview of all of the stitch types on the operating panel or in section „Programme selection“ on page 46.

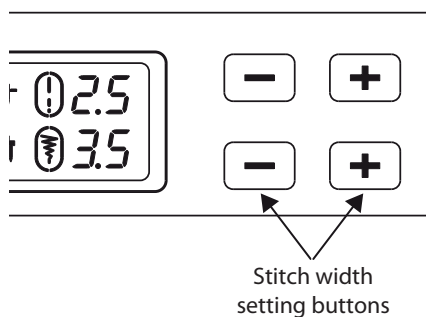
Stitch width setting

You use the stitch width setting **40** to set the width of the stitch type you selected.

- ▶ Press the - button to reduce the stitch width or the + button to increase the stitch width.

The default stitch width is indicated on the display by the  symbol **48**. If you change the default stitch width, the oval around the stitch width symbol  goes out.



If you hear a warning beep when setting the stitch width, you have reached either the minimum or the maximum stitch width.



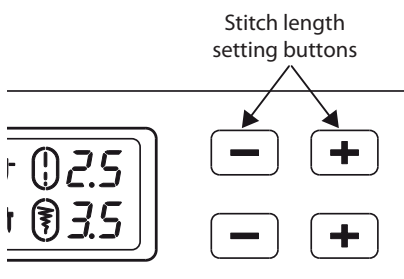
Setting the stitch length

You use the stitch length setting **39** to set the length of the stitch type you selected.

- ▶ Press the - button to reduce the stitch length or the + button to increase the stitch length.

The default stitch length is indicated on the display by the  symbol **45**. If you change the default stitch length, the oval around the stitch length symbol  goes out.

If you hear a warning beep when setting the stitch length, you have reached either the minimum or the maximum stitch length.



Setting the stitch types

You set the stitch types using the programme selection buttons **38**.
 Make sure that the needle is at its highest position before changing the stitch type.

Test the stitching on a swatch before using a stitch programme for your actual work.

You will find an overview of all the stitch types in the programme table in section „Programme selection“ on page 46.

For information on attaching and removing the presser foot, please see „Removing and fitting the presser foot“ on page 41.



Straight stitch

Suitable for general sewing and for top-stitching.

Presser foot:Standard foot
 Presser foot indicator: J
 Programme:.....0
 Stitch length:..... 0.5 to 4.5
 Stitch width: 0.5 to 6.5

NOTICE!

Risk of damage!

The incorrect rotation point can cause damage when using a twin needle.

- In this case, raise the needle to turn the fabric.

Zigzag stitch

The zigzag stitch is one of the most commonly used stitches. It can be used for many different things, for example hemming, appliqué, and monograms.

Before you use the zigzag stitch, sew a few straight stitches to reinforce the stitching.

Presser foot:Standard foot
 Presser foot indicator: J
 Programme:.....3
 Stitch length:..... 0.2 to 3
 Stitch width: 0.5 to 7

TIPS FOR ZIGZAG STITCHES

For a better zigzag stitch, the upper thread tension must be lower than for straight stitches.

The upper thread should be slightly visible on the underside of the fabric.



Satin stitch

Satin stitch, a zigzag stitch in which the stitches are very close together, is particularly suitable for appliqué, monograms, and various decorative stitches.

As various programmes can be used for satin stitching, see the programme table in section „Programme selection“ on page 46 for the possible programmes.

Presser foot: satin stitch foot
 Presser foot indicator: Z
 Stitch length: 0.5 to 1.5
 Stitch width: 0.7 to 6



TIP

Whenever you use this stitch, reduce the upper thread tension slightly. The wider the stitch, the lower the upper thread tension should be. If you are sewing very thin or soft fabrics, you should place a thin piece of paper under the fabric and sew this too. This prevents stitches being missed and the material gathering.

Blind stitch

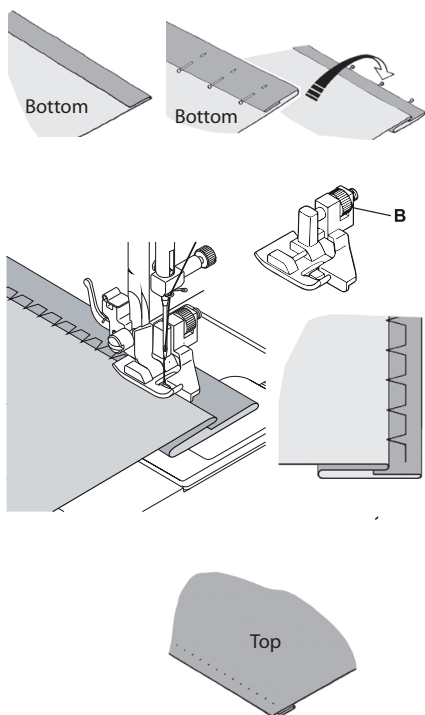
For so-called blind hemming.

Presser foot: blind stitch foot
 Presser foot indicator: H Programme: 4 or 7
 Stitch length: 0.8 to 3
 Stitch width: 2 to 7

Use a thread colour that exactly matches the fabric.

If you are sewing very light or transparent fabrics, use a transparent nylon thread.

- ▶ Fold the fabric as illustrated.
- ▶ Adjust the presser foot with the adjustment screw B so that the straight stitches are sewn on the hem and the points of the zigzag stitches reach only into the upper fold of the fabric. Sew on the fold, as shown in the illustration.
- ▶ Remove the fabric from the machine and straighten it out. The folded-out fabric now has a blind hem stitch.



TIP

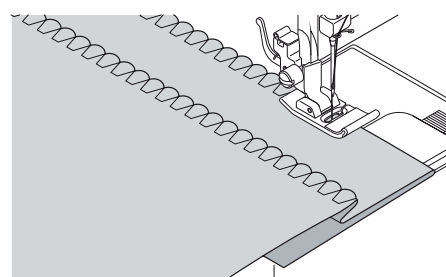
Sewing decorative hems takes some practice and should be practised on scraps of fabric before starting.

Shell hem

The shell hem is a mirrored blind stitch for decorative seams. Particularly suitable for fabrics cut on the bias.

Presser foot:Standard foot
 Presser foot indicator: J
 Programme:8
 Stitch length: 1 to 3
 Stitch width: 1 to 7

- ▶ The needle should be positioned in relation to the right-hand edge of the fabric so that the stitches loop over the outer edge of the hem.



Elastic stitch

This stitch is particularly suitable for sewing pieces of material together, e.g. rips.

The elastic stitch can also be used to reinforce elastic materials and to sew on pieces of fabric. It is also suitable for sewing on pieces of elastic.

Presser foot:Standard foot
 Presser foot indicator: J
 Programme: 1 and 6
 Stitch length:0.2 to 2.1
 Stitch width: 3 to 7

TIP

Use a synthetic thread, as this makes the stitches practically invisible.



Sewing on elastic

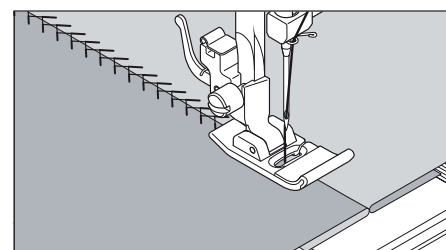
- ▶ Position the elastic as required.
- ▶ Sew on the elastic using the elastic stitch, using your hands to stretch out the elastic in front of and behind the presser foot. The more you stretch it, the more it will gather.

Feather stitch

You can use the feather stitch to join two abutted pieces of fabric.

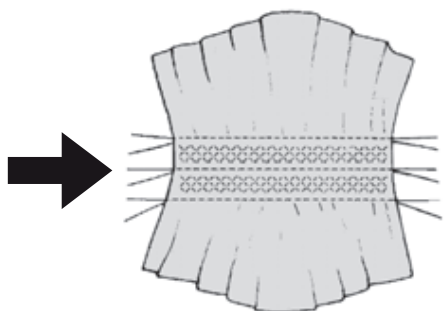
Presser foot:Standard foot
 Presser foot indicator: J
 Programme:9
 Stitch length: 1 to 3
 Stitch width: 3 to 6

- ▶ Place the two fabric edges under the presser foot. Make sure that the two edges remain together and that the needle enters the fabric right and left at the same distance from the centre.



Diamond stitch or smock stitch

The diamond stitch can be used in many different ways and is decorative, e.g. for attaching lace or elastic, or for sewing on stretchy or other elastic materials.



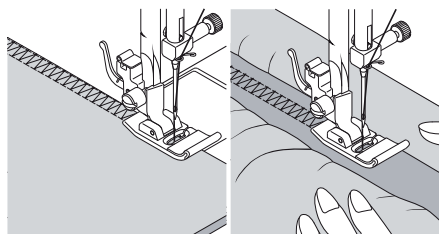
Presser foot:.....Standard foot
 Presser foot indicator: J
 Programme:..... 10 or 32
 Stitch length:..... 1.5 to 3
 Stitch width:3 to 6

For smocking work, please note the following:

- ▶ Gather the material evenly.
- ▶ Place a narrow strip of fabric under the gathers and sew over them using the smocking stitch.
- ▶ Finish the smocking work before you insert this decorative piece into the garment.
- ▶ In the case of very lightweight fabrics, the same effect can be achieved by using an elastic thread on the bobbin.

Overlock stitch

This stitch is particularly suitable for sewing and patching jersey and track suits. The stitch is both decorative and functional. It consists of smooth side lines with cross-connections and is completely elastic.

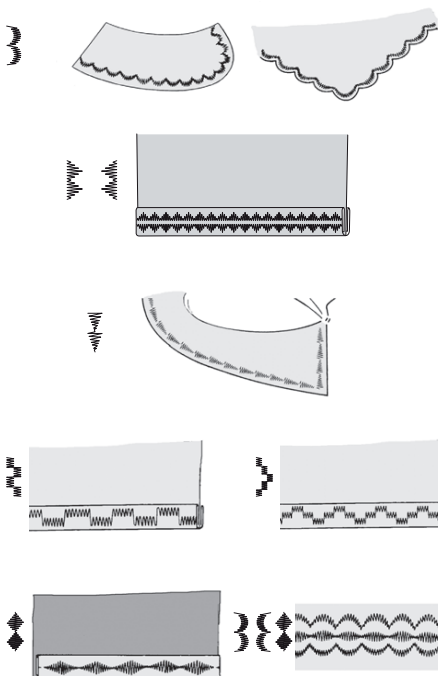


Presser foot:.....Standard foot
 Presser foot indicator: J
 Programme:..... 11, 12 or 14
 Stitch length:..... 1.5 to 3
 Stitch width:3 to 7

- ▶ Position the edge of the fabric under the presser foot so that the needle sews straight stitches with the right deflection and just touches the edge of the fabric, so that a zigzag stitch is sewn with the left deflection.

Scallop stitches

Scallop stitches are patterned stitches with a decorative but also practical use.



Presser foot:.....standard foot or satin stitch foot
 Presser foot indicator:..... J or Z
 Programme:..... 45 to 59
 Stitch length:.....0.3 to 1.5
 Stitch width:3 to 7

The scallop stitch (programme 54 or 55), for example, is ideal for sewing decorative patterns on tablecloths, napkins, collars, cuffs, and so on.

Decorative stitches

Decorative stitches are stitch types with a decorative use similar to scallop stitches.

Presser foot:standard foot or satin stitch foot
 Presser foot indicator: J or Z
 Programme:35 to 90
 Stitch length: 0.3 to 4
 Stitch width: 0.5 to 7

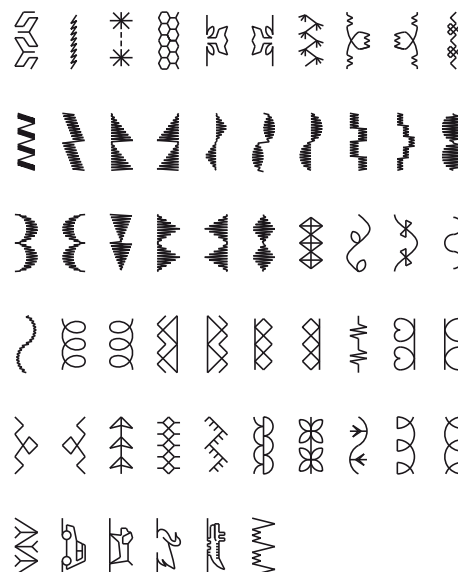


Image pattern stitches

Image pattern stitches are suitable for the decorating children's clothing or as decorative stitching on place mats, aprons, etc.

Presser foot:standard foot or satin stitch foot
 Presser foot indicator: J or Z
 Programme:74 to 89
 Stitch length: 1.7 to 2.5
 Stitch width: 6.5



With decorative and image pattern stitches, you should experiment with various stitch widths on a scrap of material to achieve an optimum result.

Letter patterns

You will find an overview of all letter stitches on the supplied pattern plate or in the programme table in section „Letter programmes“ on page 47.

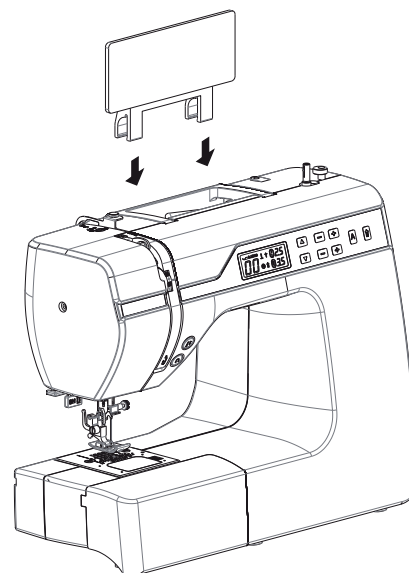
- ▶ To make it easier to find the letters, place the pattern plate on the handle 18 of the sewing machine so that you can see the programme numbers at a glance.

Selecting letters

- ▶ By pressing the **A** button 41 you activate letter mode, the **A** symbol 50 appears on the display.
- ▶ Now use the **▲** or **▼** buttons to select the required programme or the right letter.
- ▶ Press and hold down the **▲** or **▼** buttons to start a quick programme search.
 In quick search mode, you scroll through the programmes in steps of ten.
- ▶ Start sewing slowly. The machine stops automatically after each completed letter.

Setting the spacing between letters.

- ▶ You can adjust the spacing between letters by changing the stitch length.
- ▶ Press the **-** button to reduce the stitch length or the **+** button to increase the stitch length.



Buttonholes

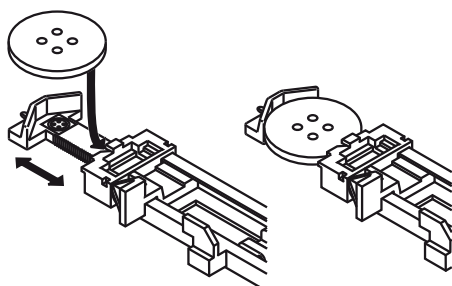
The sewing machine has five fully automatic buttonhole programmes that sew a buttonhole in a single step.



TIP

To determine the correct stitch length, breadth and width, we recommend you sew a test buttonhole on a scrap of fabric.

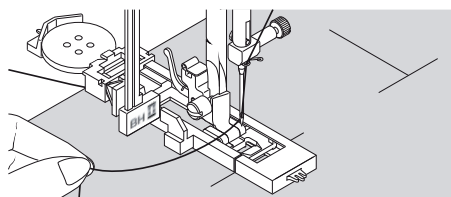
Presser foot:buttonhole presser foot
 Presser foot indicator:B
 Programme: 92 to 99
 Stitch length: 0.4 or 1.2
 Stitch width:4



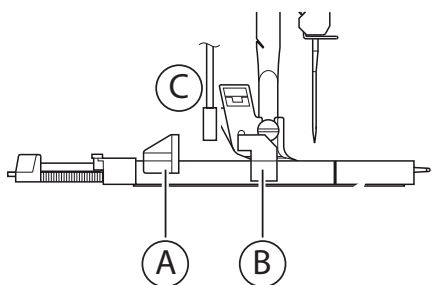
- ▶ Start by putting the button in the button holder of the buttonhole foot.
- ▶ Replace the current foot with the buttonhole foot. Make sure that the upper thread runs through the buttonhole foot.
- ▶ Mark the location where the buttonhole is to be sewn and apply the buttonhole foot there.

If you are sewing very fine fabric or synthetics, reduce the foot pressure and lay a piece of paper on the material to prevent thread entanglement.

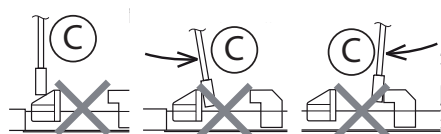
Procedure



- ▶ Place the buttonhole foot on the marked position on your material and raise the presser foot lever.
- ▶ Pull the lever C of the automatic buttonhole function carefully downwards. Make sure the lever is between the limiting cones A and B of the buttonhole foot.
- ▶ Choose a buttonhole pattern and set the desired stitch length and width.

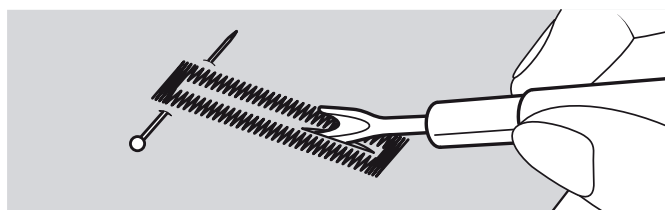


- ▶ Start sewing slowly: the sewing machine will create the entire buttonhole in a single step.
 The lever 14 of the automatic buttonhole function ensures the desired length of the buttonhole and the change of direction.
- ▶ Keep the foot pedal pressed down until the sewing machine stops sewing on its own.
- ▶ Set the presser foot lever to its top position and remove the material.
- ▶ Now cut off the buttonhole using the un-picker supplied.



TIP

Pin a safety pin in front of the top bar to stop you cutting through it.



Buttonholes with yarn reinforcement

For buttonholes that are subjected to higher strain, it makes sense to reinforce the buttonhole with a thread (crochet, darning yarn or buttonhole yarn).

TIP

For buttonholes with darning yarn, use only a buttonhole programme with straight ends.



- ▶ Cut a length of darning yarn suitable for the length of the buttonhole and lay this around the buttonhole foot.
- ▶ Hook the yarn into the mandrel at the rear end of the presser foot and run the yarn forward and tie it on the front mandrel.
- ▶ Sew the buttonhole as usual. Make sure that the stitches completely enclose the yarn.
- ▶ When the buttonhole programme is finished, take the workpiece out of the machine and cut off the protruding ends of the darning yarn close to the fabric

TIP

Using darning yarns in this way requires some practice. Create a few buttonholes on a scrap of material to learn the process.

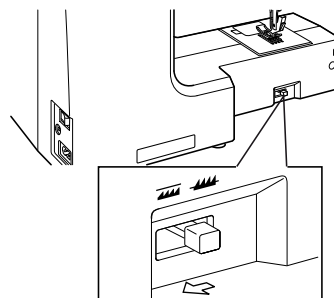


Sewing on buttons and hooks and eyes

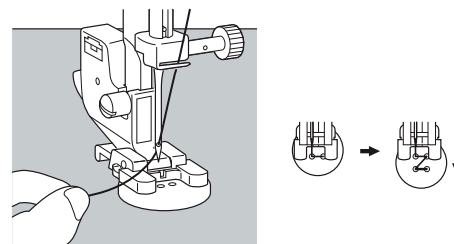
You can use the transparent blue presser foot to sew on buttons, hooks and eyes easily.

- ▶ Select the buttonhole programme and adjust the stitch width so it corresponds to the spacing of the holes.
- ▶ Lower the fabric feeder **33** using the lever **21** on the back of the machine.

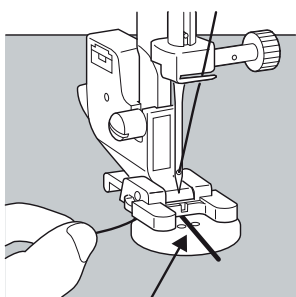
Presser foot:..... button presser foot
 Presser foot indicator:.....0
 Programme:.....91
 Stitch length:.....0
 Stitch width:.....2 to 7



- ▶ Lower the presser foot and place the button between the fabric and presser foot so that the zigzag stitch enters the holes of the button, as illustrated.
- ▶ Check the button is positioned correctly by turning the hand wheel **26** manually. The needle must exactly enter the holes of the button, otherwise the needle may be damaged. If necessary, change the width of the zigzag stitch.
- ▶ At a low speed, sew about 6 to 7 stitches per hole.



For buttons with four holes, the material is shifted with the button: then 6 to 7 stitches are sewn in the other holes. Once you have removed the fabric, pass a generous length of the upper thread to the underside of the fabric and knot it to the lower thread there.



Matchstick/needle

Sewing buttons with a shank

In the case of heavy fabrics, a button shank is often needed.

- ▶ Place a needle or, for a thicker shank, a matchstick on the button and then proceed to sew as for a normal button.
- ▶ After about 10 stitches, remove the material from the machine.
- ▶ Remove the needle or matchstick.
- ▶ Leave the upper thread a little longer and cut the upper thread off.
- ▶ Thread the upper thread through the button and wind it a few times around the shank created, then pass it through to the underside of the fabric and knot it to the lower thread.

Sewing in zips

Depending on which side of the zip band you are sewing, the presser foot must always be on the fabric.

For this reason, the presser foot is attached on either the left-hand or right-hand side, and not in the middle like all other presser feet.

Presser foot:..... zip presser foot
 Presser foot indicator: J
 Programme:..... 1
 Stitch length:..... 1.5 to 3
 Stitch width:..... 0.5 to 6.5

- ▶ Raise the presser foot and needle to their top position to change the presser foot.
- ▶ Tack the zip onto the fabric and place the workpiece in position under the foot.
- ▶ To sew the right-hand side of the zip, attach the zip presser foot so that the needle sews on the left-hand side.
- ▶ Sew the right-hand side of the zip, creating the stitches as close as possible to the teeth.
- ▶ Sew in the zip around 0.5 centimetres below the teeth using a bridge.
- ▶ To sew the left-hand side of the zip, change the foot position on the presser foot holder.
- ▶ Proceed in the same way as for the right-hand side of the zip.

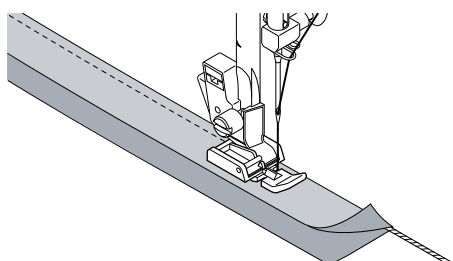


Before the foot reaches the slider on the zip band, lift the foot up and open the zip, keeping the needle in the material.

Sewing in drawstrings

You can also use the zip presser foot to sew in drawstrings, as illustrated.

- ▶ Fold the fabric over once to create a drawstring tunnel and then sew along the drawstring, making sure the zip presser foot is behind the drawstring.



Gathering

Presser foot:Standard foot

Presser foot indicator: J

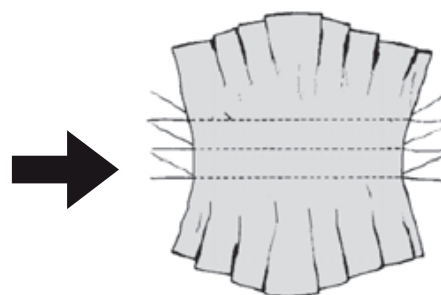
Programme: 1

Stitch length: 4

Stitch width: 3

Reduce the upper thread tension (see Page 24) so that the lower thread lays loosely on the back of the fabric and is looped by the upper thread.

- ▶ Sew one or more rows of stitches. Do not cut the threads directly on the edge of the fabric; rather, let the threads protrude around 10 centimetres at the ends.
- ▶ At the start of each row, knot the upper and lower thread.
- ▶ Hold onto the fabric on the side with the knot and, at the same time, pull one or more lower threads taut on the other side. Now push the fabric together on the lower thread. Once the fabric has been gathered to the desired width, knot the upper and lower threads of the second side.
- ▶ Make sure the gathering is even.
- ▶ Sew the gathers in place with one or more rows of straight stitches.



Appliqué

You can use appliqué on tablecloths, shirts, curtains and children's clothes.

Presser foot: standard foot

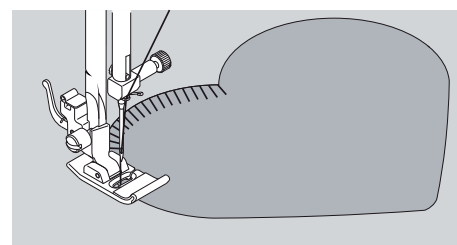
Presser foot indicator: J

Programme: 3

Stitch length: 0.2 to 3

Stitch width: 0.5 to 7

- ▶ Tack the appliqué to the fabric.
- ▶ Use a close zigzag stitch along the edge of the tacked motif. For fine fabrics, we recommend using an embroidery frame.
- ▶ On corners and curves of the appliqué, only turn the fabric when the needle is inserted in the outer side of the appliqué.
- ▶ Then remove the tacking stitches.



Sewing with a twin needle

Twin needles are available from well-stocked specialist retailers. When buying a twin needle, make sure that the distance between the two needles is no more than 4 mm.



The twin needle can be used to create attractive, two-coloured patterns if you use different coloured threads when sewing.

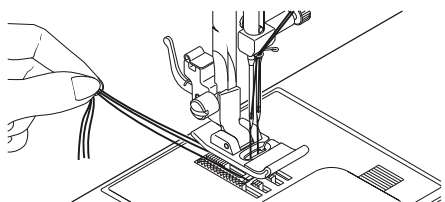
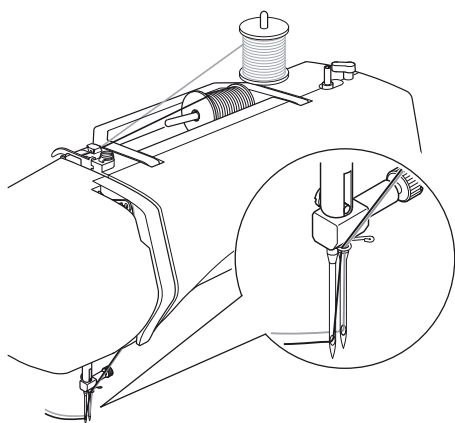
Presser foot: standard foot
 Presser foot indicator: J
 Programme: 1
 Stitch length: 1 to 4
 Stitch width: 0.5 to 3

NOTICE!

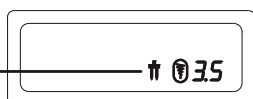
Risk of damage!

Using the incorrect sewing programme can cause the twin needle to bend or break.

- Use the twin needle only in the programme specified here.
- ▶ Attach the twin needle in the same way as you would a single needle (see Page 40).
- ▶ Fit the second cotton reel holder into the recess 25 on the rear of the sewing machine.
- ▶ Place two equally full cotton reels onto the cotton reel holders 19.
- ▶ Pass the two threads through the thread holder in the same way as for a single thread.
- ▶ Feed both threads through the internal thread guide 9.
- ▶ Insert one thread through the eye of the needle on the right-hand side, and one thread on the left-hand side.
- ▶ Use the  button 42 to select twin needle mode. The  symbol 49 appears on the display.



Twin needle indicator



NOTICE!

Risk of damage!

When sewing a corner with the twin needle, it could bend or break.

- Always raise the needles out of the fabric.

Sewing with the free arm

The free arm **12** enables you to sew tube-shaped pieces more easily. This function is very useful e.g. when sewing sleeves and trouser legs. You can easily turn your sewing machine into a free-arm machine by removing the table extension and accessories box **11** from the sewing machine.

The free arm **12** is particularly useful for the following work:

- Repairing elbows and knees in garments.
- Sewing sleeves, in particular on smaller garments.
- Appliqué, embroidery or hemming edges, cuffs or trouser legs.
- Sewing elasticated waistbands on skirts or trousers.

Maintenance and cleaning

⚠ CAUTION!

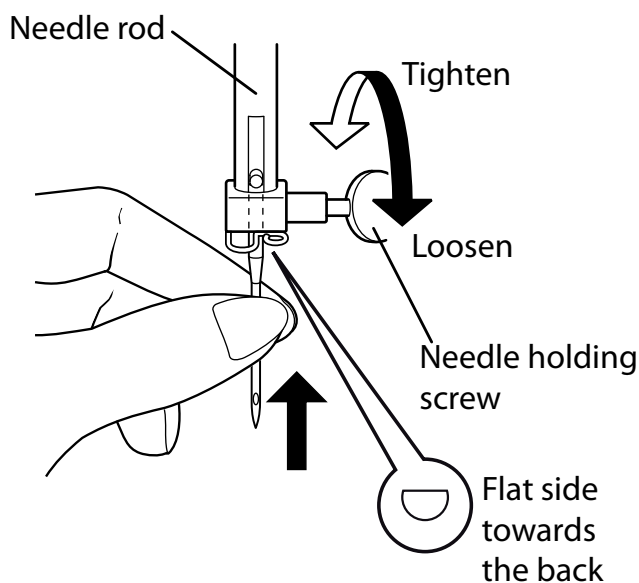
Risk of injury!

Inadvertent operation of the foot pedal can lead to a risk of injury.

- Once you have finished working or before you start maintenance, always turn off and unplug the machine.

Changing the needle

- ▶ Turn the hand wheel **26** towards you until the needle has reached its top position.
- ▶ Loosen the needle clamp screw **28** by turning it towards you.
- ▶ Remove the needle from the needle holder.
- ▶ Insert a new needle with the flat side facing backwards. Push the needle upwards until it can go no further.
- ▶ Tighten the needle clamp screw **28** again.



Needles are available from specialist retailers.

You will find information on types and thickness in section „Fabric, thread and needle table“ on page 45.

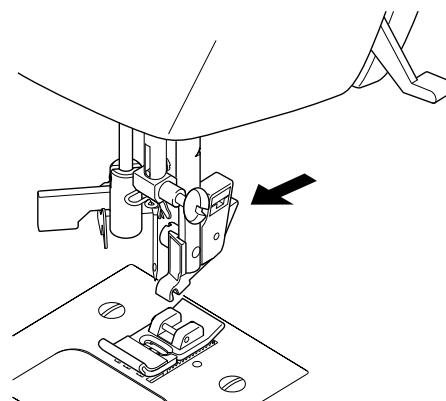
Removing and fitting the presser foot

Removing

- ▶ Turn the hand wheel **26** towards you until the needle has reached its top position.
- ▶ Raise the presser foot by pushing up the presser foot lever **20**.
- ▶ If you press the presser foot release lever **30** behind the presser foot holder **29**, the presser foot drops out.

Fitting

- ▶ Attach the presser foot so that the pin on the foot is directly under the groove of the foot holder. Lower the presser foot lever **20**.
- ▶ Now push the presser foot release lever upwards. The presser foot automatically clicks into place.



Removing and fitting the presser foot holder

The presser foot holder does not need to be removed unless you want to darn or embroider, or make space to clean the fabric feeder **33**.

Removing

- ▶ Move the needle to its top position by turning the hand wheel **26** towards you and raise the presser foot lever **19**.
- ▶ Remove the foot from the presser foot holder and undo the presser foot holder screw **31** using the screwdriver provided.

Fitting

- ▶ Move the needle to its top position by turning the hand wheel **26** towards you and raise the presser foot lever **19**.
- ▶ When you fit the presser foot holder, push it upwards as far as possible and tighten the presser foot holder screw using the screwdriver provided.

Maintaining the sewing machine

The sewing machine is a sensitive mechanical product and requires regular maintenance to ensure it always functions perfectly.

You can carry out this maintenance yourself.

Care involves mainly: **cleaning and oiling**.

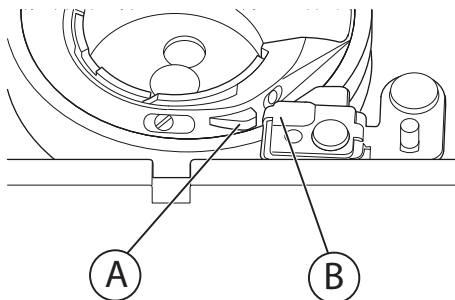
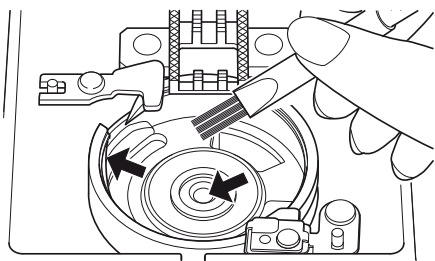
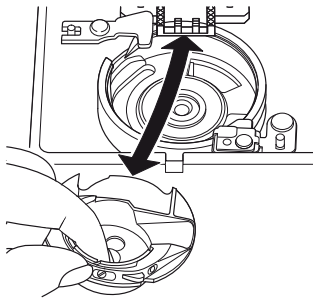
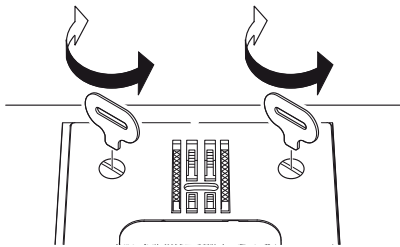
Only use high-quality sewing machine oils. Other oils are not suitable. Please note that after oiling, there may be oil residue in the machine. To get rid of this residue, sew a few stitches on a swatch or scrap of fabric. This will stop your actual fabric from getting soiled.



Cleaning the housing and foot pedal

Before cleaning, pull the plug out of the mains socket.

Use a dry, soft cloth to clean the housing and foot pedal. Avoid the use of chemical solutions and cleaning products because these may damage the appliance surface and/or markings.



Cleaning and oiling the feeder and the bobbin housing.

It is necessary to keep the fabric feeder teeth clean at all times to ensure perfect stitching.

- ▶ Remove the needle and presser foot (see Page 40 f.).
- ▶ Remove the screws on the needle plate 10 to remove the needle plate from the machine.
- ▶ Now lift the bobbin from the bobbin cartridge.
- ▶ Remove the shuttle track ring.
- ▶ Use the brush to remove dust and thread residues from the fabric feeder teeth, the bobbin cartridge and the shuttle track ring.
- ▶ Lubricate the places marked with an arrow with a drop of sewing machine oil.
- ▶ Replace the shuttle track ring in the bobbin cartridge. When inserting, make sure the fixing lip B is at the end position of the shuttle ring A.
- ▶ Replace the needle plate 10.

TIP

This part of the machine may need to be oiled more frequently, depending on how often you use the machine.

Faults

If faults occur, please read the operating instructions to determine whether you have followed all the instructions correctly.

Please only contact our customer services if none of the solutions provided is successful.

Malfunction	Cause	Page
Machine does not run smoothly	Machine needs to be oiled	Page 42
	Dust and threads in shuttle track	Page 42
	Foreign objects on the teeth of the fabric feeder	Page 42
	Wrong oil was used and has blocked the machine	Page 40
Upper thread breaks	Upper thread has not been threaded correctly	Page 19
	Thread tension too high	Page 24
	Needle bent or blunt	Page 26
	Thread thickness not right for the needle	Page 45
	Needle not inserted correctly	Page 40
	Fabric not pulled through from back at end of seam	Page 27
	Needle plate, bobbin or presser foot damaged	
Lower thread breaks	Lower thread tangles because thread wound onto bobbin incorrectly	Page 16
	Lower thread not under tension spring in bobbin case	Page 18
Needle breaks	Needle inserted incorrectly	Page 40
	Needle is bent	Page 26
	Needle is too fine	Page 45
	Fabric pulled while sewing	Page 26
	Knot in the thread	Page 19
	The upper thread is not threaded correctly	Page 19
Machine misses stitches	Needle inserted incorrectly	Page 40
	The upper thread is not threaded correctly	Page 19
	Needle and/or thread not suitable for fabric	Page 45
	Fabric too heavy or hard	Page 45
	Fabric pulled while sewing	Page 26

Malfunction	Cause	Page
Puckering or gathering of seam	Upper thread tension too high	Page 24
	Machine threaded incorrectly	Page 19
	Needle too large for the fabric	Page 45
Thread makes loops	Thread tension not adjusted	Page 24
	Upper thread not threaded correctly and/or lower thread not wound onto bobbin correctly	Page 18
	Thread thickness not suitable for the fabric	Page 45
Fabric feed irregular	Stitch length is "0"	Page 28
	Thread ends in shuttle track	Page 42
Machine does not run	Sewing machine not connected correctly or there is no power from the socket	Page 15
	Thread ends in shuttle track	Page 42

Helpful messages

Acoustic signals

Acoustic signal	Reason
1 x beep	Normal operation
2 x beeps	Invalid operation
3 x beeps	Invalid machine settings
4 x beeps	The machine is jammed

Useful displays

Display	Reason	Solution
JC	The bobbin spindle is still in position for winding.	Press the bobbin spindle left.
bL	The buttonhole lever is not lowered or raised.	Lower the buttonhole lever. Push the buttonhole lever upwards.
Lo	The machine was stopped because thread or fabric remnants are blocking the mechanism.	Switch off the machine and remove the thread or fabric remnants.

Fabric, thread and needle table

As a general rule, fine threads and needles are used to sew thin fabrics, thicker threads and needles are used for heavier fabrics. Always test the thread and needle thickness on a scrap of the fabric you intend to use. Use the same thread for needle and bobbin. If you sew stretch hems on fine fabrics or synthetics, use a needle with a blue shaft (available from specialist retailers). These prevent stitches from being missed.

	Fabric type	Thread	Needle
Very light-weight fabrics	Chiffon, georgette, fine lace, organza, net, tulle	50 Synthetics, silk	65
Lightweight fabrics	Batiste, voile, nylon, satin, lightweight linen	80 Cotton	65
	Silk, crêpe de chine; crêpe sheer	50 Silk, synthetics	
	Jersey, swimwear, cotton jersey	60 Synthetics	
	Suede	80 Cotton	75 (Leather or denim needle)
Medium fabrics	Flannel, velour, velvet, muslin, poplin, linen, wool, felt, terry, gabardine	60–80 Cotton, silk	75–90
	Knitwear, stretch, cotton jersey	60 Synthetics	90
	Leather, vinyl, suede	80 Cotton	90 (Leather or denim needle)
Heavy fabrics	Denim, coat fabric	50 Cotton	100
	Jersey	50 Synthetics	
	Wool, tweed	50 Silk	
Very heavy fabrics	Canvas, sailcloth, upholstery fabrics	80–100 Cotton	100

Helpful sewing tips

Sewing thin and lightweight fabrics

With lightweight and thin materials, you can experience wrinkles as these materials are not always fed uniformly.

- ▶ When sewing these fabric types, lay a stabiliser (available from specialist retailers) or a piece of tissue paper under the fabric to prevent irregular feeding.

Sewing elastic fabrics

Elastic materials can be worked more easily if you tack the fabric pieces together beforehand with basting thread/tacking thread and then sew the material together with small stitches and without stretching.

You can also achieve good results by using special threads for knitwear and elastic stitches.

Programme selection

Stitch programmes



Stitch patterns that are marked with an asterisk cannot be sewn with a twin needle.
The table below lists all the stitch types and the respective programme number.

Programme Number	00	01	02	03	04	05	06	07	08	09
Stitch pattern										
Programme Number	10	11	12	13	14	15	16	17	18	19
Stitch pattern										
Programme Number	20	21	22	23	24	25	26	27	28	29*
Stitch pattern										
Programme Number	30	31	32*	33*	34	35*	36*	37*	38*	39*
Stitch pattern										
Programme Number	40*	41*	42	43	44	45	46	47	48*	49*
Stitch pattern										
Programme Number	50	51	52	53*	54	55	56	57	58	59
Stitch pattern										
Programme Number	60	61*	62*	63*	64*	65	66	67	68	69
Stitch pattern										

Programme Number	70	71	72	73	74	75	76	77	78	79
Stitch pattern										
Programme Number	80	81*	82	83	84	85	86*	87*	88*	89*
Stitch pattern										
Programme Number	90	91*	92*	93*	94*	95*	96*	97*	98*	99*
Stitch pattern										

Letter programmes

The table below lists all the letters and the respective programme number.

Programme Number	00	01	02	03	04	05	06	07	08	09
Stitch pattern	0	1	2	3	4	5	6	7	8	9
Programme Number	10	11	12	13	14	15	16	17	18	19
Stitch pattern	A	B	C	D	E	F	G	H	I	J
Programme Number	20	21	22	23	24	25	26	27	28	29
Stitch pattern	K	L	M	N	O	P	Q	R	S	T
Programme Number	30	31	32	33	34	35	36	37	38	39
Stitch pattern	U	V	W	X	Y	Z	a	b	c	d
Programme Number	40	41	42	43	44	45	46	47	48	49
Stitch pattern	e	f	g	h	i	j	k	l	m	n
Programme Number	50	51	52	53	54	55	56	57	58	59
Stitch pattern	o	p	q	r	s	t	u	v	w	x

Programme Number	60	61	62	63	64	65	66	67	68	69
Stitch pattern	y	z	@	!	?	&		'	”	,
Programme Number	70	71	72	73	74	75	76	77	78	79
Stitch pattern	.	-	·	/	:	;	Ä	Å	Æ	à
Programme Number	80	81*	82	83	84	85	86*	87*	88*	89*
Stitch pattern	ä	å	è	é	ê	ë	Ç	œ	ç	ì
Programme Number	90	91*	92*	93*	94*	95*	96*	97*	98*	99*
Stitch pattern	Ñ	ñ	Ö	Ø	ò	ö	ø	Ü	ù	ü

Disposal



PACKAGING

Your sewing machine is wrapped in packaging to protect it against transportation damage. Packaging is raw material and can be re-used or added to the recycling system.



APPLIANCE

At the end of its useful life, the sewing machine should not be disposed of with the household rubbish. Please consult your local authority for advice on correct and eco-friendly methods of disposal.

Technical data

Sewing machine:

Nominal voltage: 230 V ~ 50 Hz – 0.4 A

Power rating

Motor: 30 W

Lamp: 24 V, 1 W

Foot pedal:

Type: ES01FC

Nominal voltage: DC 15 V, Max. 3mA

Safety class: II

Subject to technical modifications!

Legal Notice

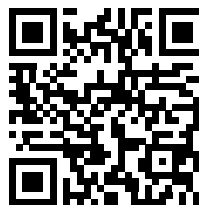
Copyright © 2016

All rights reserved.

This operating manual is protected by copyright.

Mechanical, electronic and any other form of reproduction is prohibited without the written permission of the manufacturer.

Copyright is owned by the company:



Medion AG
Am Zehnthof 77
45307 Essen
Germany

Subject to technical and optical changes as well as printing errors.

The operating manual can be reordered via the service hotline and is available for download via the service portal at www.medion.com/gb/service/start/.

You can also scan the QR code above and download the operating manual onto your mobile device via the service portal.

Index

A	
Accessories box	16
Acoustic signals	44
Appliqué	37
Auto threader	22
Auto threader for the needle	22
B	
Blind hemming foot	14
Blind stitch	30
Bringing up the lower thread	23
Buttonhole presser foot	14
Buttonholes	34
Buttonholes with yarn reinforcement	35
Button presser foot	14
Buttons and hooks and eyes, sewing on	35
Buttons, sewing with a shank	36
C	
Changing the sewing direction	27
Controlling the sewing speed	15
Correct stitches	25
Cutting the thread	27
D	
Decorative stitches	33
Display features	44
E	
Elastic stitch	31
F	
Feather stitch	31
Feeder	42
Fitting a cotton reel	16
Foot pedal	13, 15
G	
Gathering	37
I	
Image pattern stitches	33
Incorrect stitches	25
Inserting the bobbin	18
L	
Letter patterns	33
Letter programmes	47
N	
Needle end position	25
O	
Overlock stitch	32

P	
Pattern completion	27
Presser foot	41
Presser foot holder	41
Programme selection	28
R	
Raising and lowering the presser foot	26
Removing the bobbin	17
Reverse stitching	27
S	
Safety information	11
Satin stitch	30
Satin stitch foot	14
Scallop stitches	32
Selecting the right needle	26
Setting the stitch types	29
Sewing on elastic	31
Sewing tips	45
Sewing elastic fabrics	45
Sewing thin and lightweight fabrics	45
Sewing with a twin needle	38
Shell hem	31
Smocking stitch	32
Stitch length setting	28
Stitch programmes	46
Stitch width setting	28
Straight stitch	29
T	
Table extension	13, 15, 39
Threading the upper thread	19
Thread tension	24
U	
Upper thread guide	21
Upper thread tension	24
W	
Winding thread on to the bobbin	16
Z	
Zigzag stitch	29
Zip presser foot	14
Zips	36



WARRANTY CARD DIGITAL SEWING MACHINE

Your details:

Name _____

Address _____

☎ _____ E-Mail _____

Date of purchase* _____

* We recommend you to keep the receipt with this warranty card.

Location of purchase _____

Discription of malfunction:



If after contacting the manufacturer you are requested to return the faulty product please return the completed warranty card together with it.

MEDION ELECTRONICS LTD.
120 FARADAY PARK, FARADAY ROAD, DORCAN
SWINDON SN3 5JF, WILTSHIRE
UNITED KINGDOM

Please use the contact form at
www.medion.com/contact

AFTER SALES SUPPORT

☎ **GB 0333 - 32 13 106** **www.medion.co.uk**
IRE 1 800 99 25 08

MODEL: MD 15694 Product Code: 71792 09/2016

GB Standard rate **IRE** free phone



Warranty conditions

Dear Customer,

The **ALDI warranty** offers you extensive benefits:

Warranty period: 3 years from date of purchase.

Costs: Free repair/exchange.
No transport costs.

ADVICE: Please contact our service hotline by phone, e-mail or fax before sending in the advice. This allows us to provide support in the event of possible operator errors.

In order to make a claim under the warranty, please send us:

- the faulty item together with the original purchase receipt and the completed warranty card.
- the product with all components included in the packaging.

The warranty does not cover damage caused by:

- **Accident** or **unanticipated events (e.g. lightning, water, fire).**
- **Improper use** or **transport.**
- **Disregard of the safety** and **maintenance instructions.**
- Other **improper treatment** or **modification.**

After the expiry of the warranty period, you still have the possibility to have your product repaired at your own expense. If the repair or the estimate of costs is not free of charge you will be informed accordingly in advance.

This warranty does not affect your statutory rights. In the event that a product is received for repair, neither the service company nor the seller will assume any liability for data or settings possibly stored on the product by the customer.



Spend a little Live a lot.

Great care has gone into the manufacture of this product and it should therefore provide you with years of good service when used properly. In the event of product failure within its intended use over the course of the first 3 years after date of purchase, we will remedy the problem as quickly as possible once it has been brought to our attention. In the unlikely event of such an occurrence, or if you require any information about the product, please contact us via our helpline support services, details of which are to be found both in this manual and on the product itself.

GB

IRE

PRODUCED IN CHINA FOR:

ALDI STORES LTD. PO BOX 26, ATHERSTONE
WARWICKSHIRE, CV9 2SH.

ALDI STORES (IRELAND) LTD.
PO BOX 726, NAAS, CO. KILDARE.
Visit us at www.aldi.com

AFTER SALES SUPPORT



GB 0333 32 13 106
IRE 1 800 992508



www.medion.co.uk

GB Standard rate

IRE free phone

Model: MD 15694

PRODUCT CODE: 71792

09/2016

3

**YEARS
WARRANTY**